

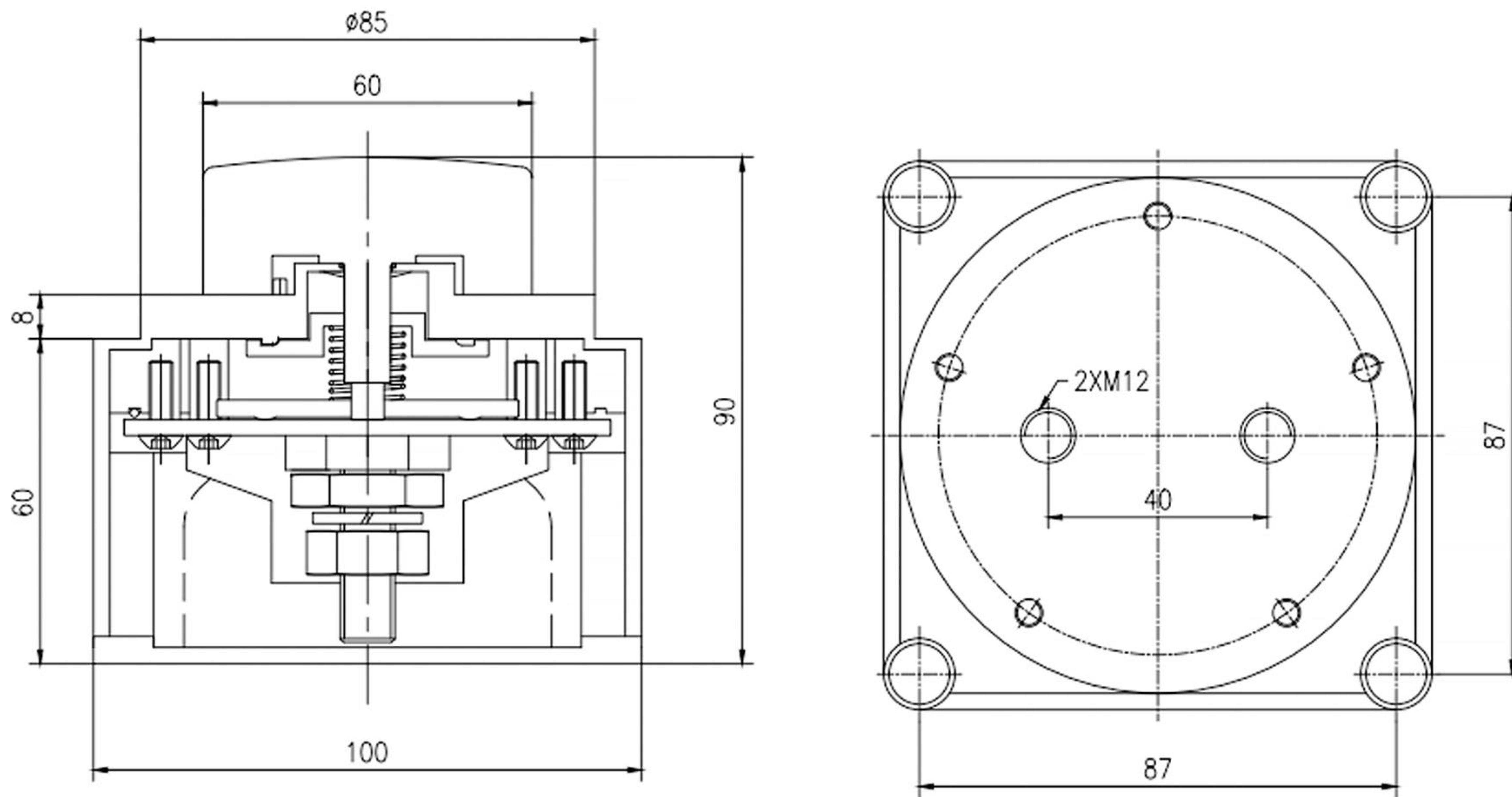
# EH-720

## Characteristic



- Continuous Rating: 600 Amps DC
- Intermittent Rating: 800 Amps DC
- Cranking Rating: 2500 Amps DC
- Voltage Rating: 12-48 Volts DC
- Operation: ON/ OFF
- Mounting: Recessed or Surface
- Termination Stud Size: 2 X M12
- Tin plated copper studs and nuts
- Ignition protected
- Dimensions: 110 x 110 x 100H mm

## Installation & Size



## Wiring

