

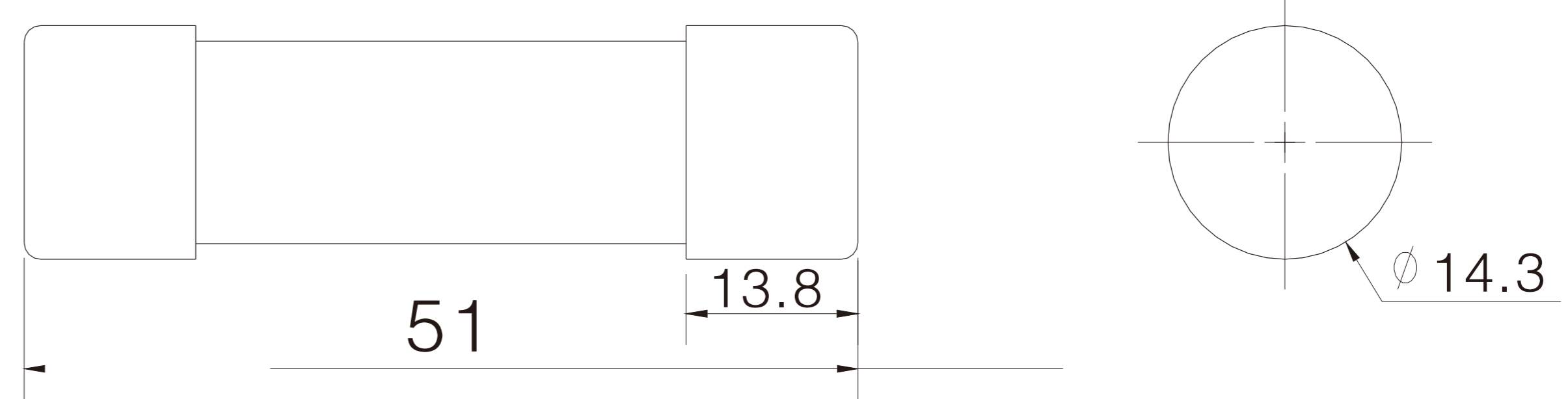


EFPV1451 15A-50A 1000V DC
 EFPV1451 15A-32A 1500V DC

Photovoltaic Fuse

- ☼ Fuse Size: 14 X 51mm
- ☼ Class of Operation: gPV
- ☼ Standard: IEC 60269-6
- ☼ Breaking Capacity: 20kA
- ☼ Time Constant: 1-3ms

Dimensions-mm



EFPV1451

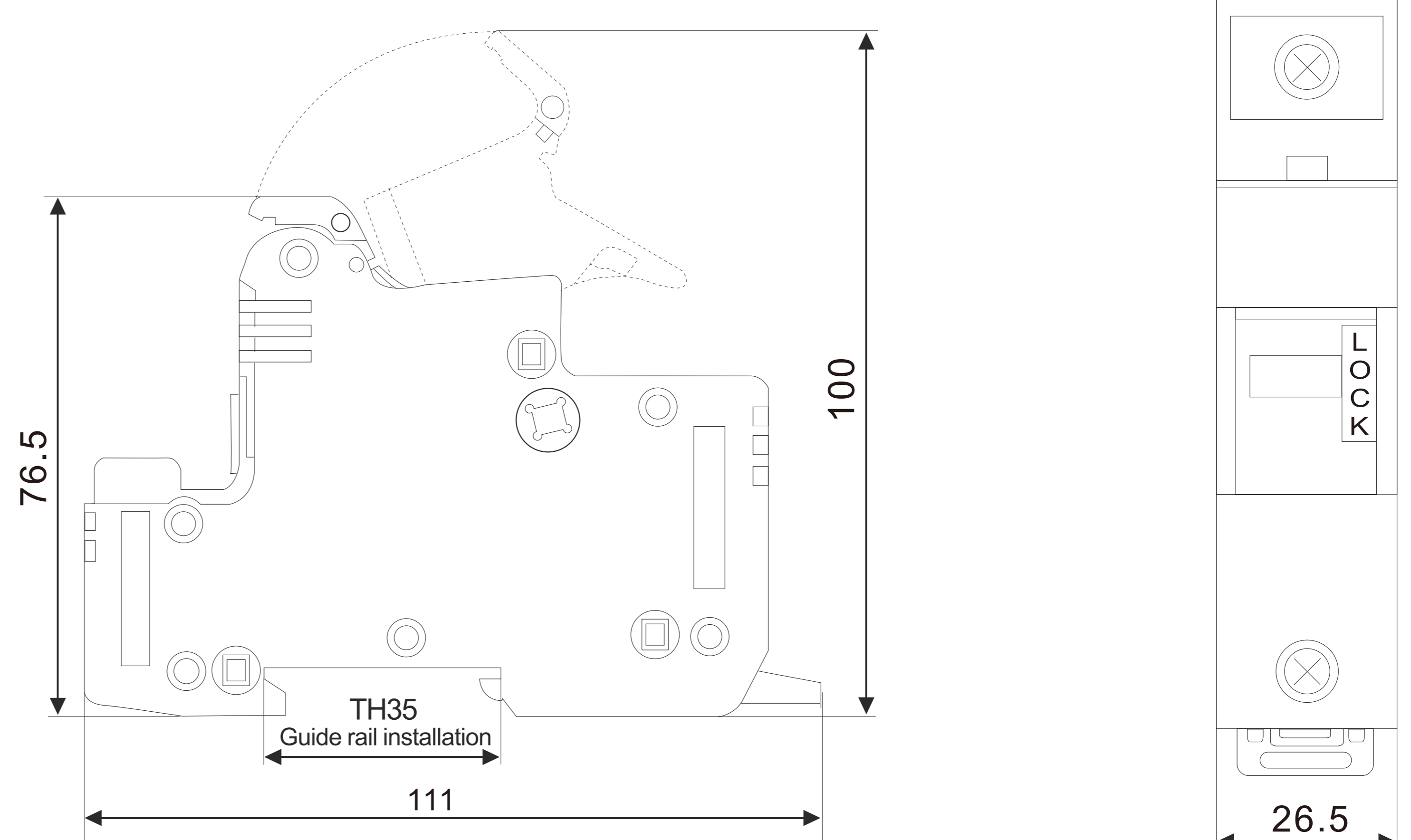


EFPV1451B 50A (14X51)

Photovoltaic Fuse

- ☼ Rated Voltage : 1000V DC 1500V DC
- ☼ Class of Operation: gPV
- ☼ Standard: IEC 60269

Dimensions-mm



EFPV1451B