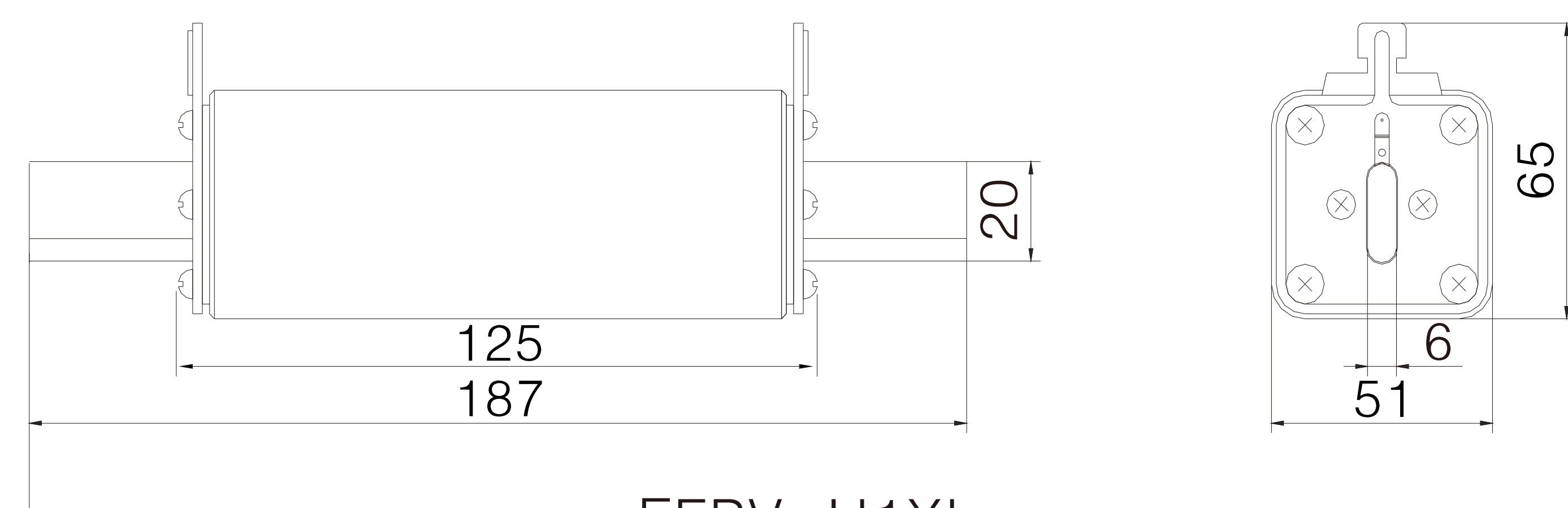


EFPV-H1XL	35A-200A	1500V DC
EFPV-H2XL	80A-400A	1500V DC
EFPV-H3L	125A-630A	1500V DC

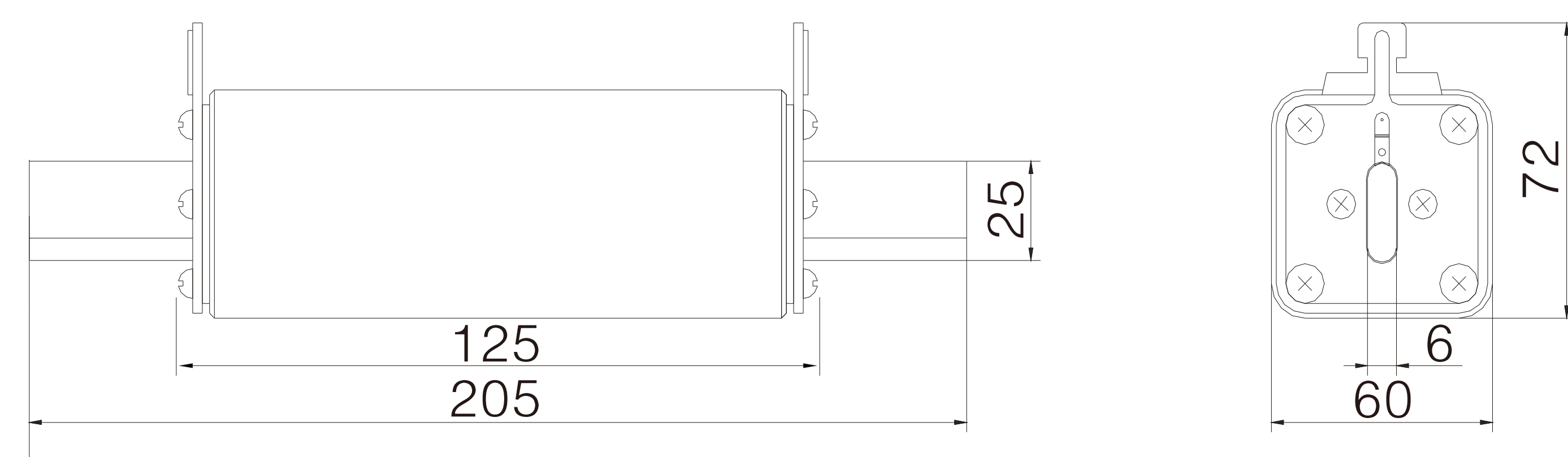
Photovoltaic Fuse

- ✦ Class of Operation: gPV
- ✦ Standard: GB/T 13539.6 IEC 60269-6
- ✦ Breaking Capacity: 50kA
- ✦ Time Constant: 1-3ms

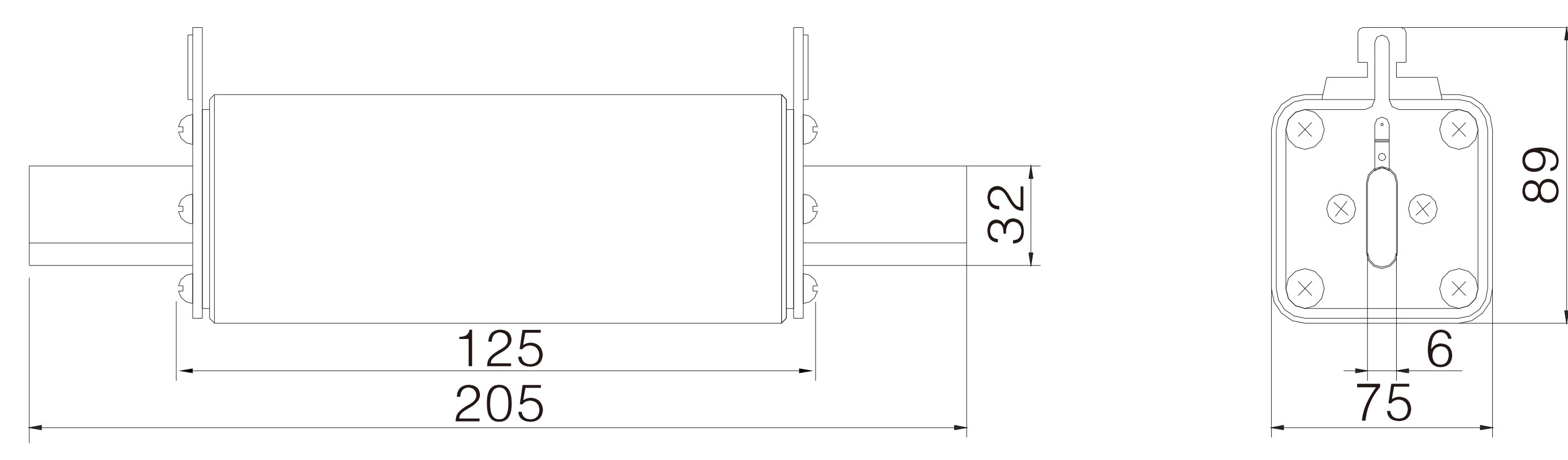
Dimensions-mm



EFPV-H1XL



EFPV-H2XL



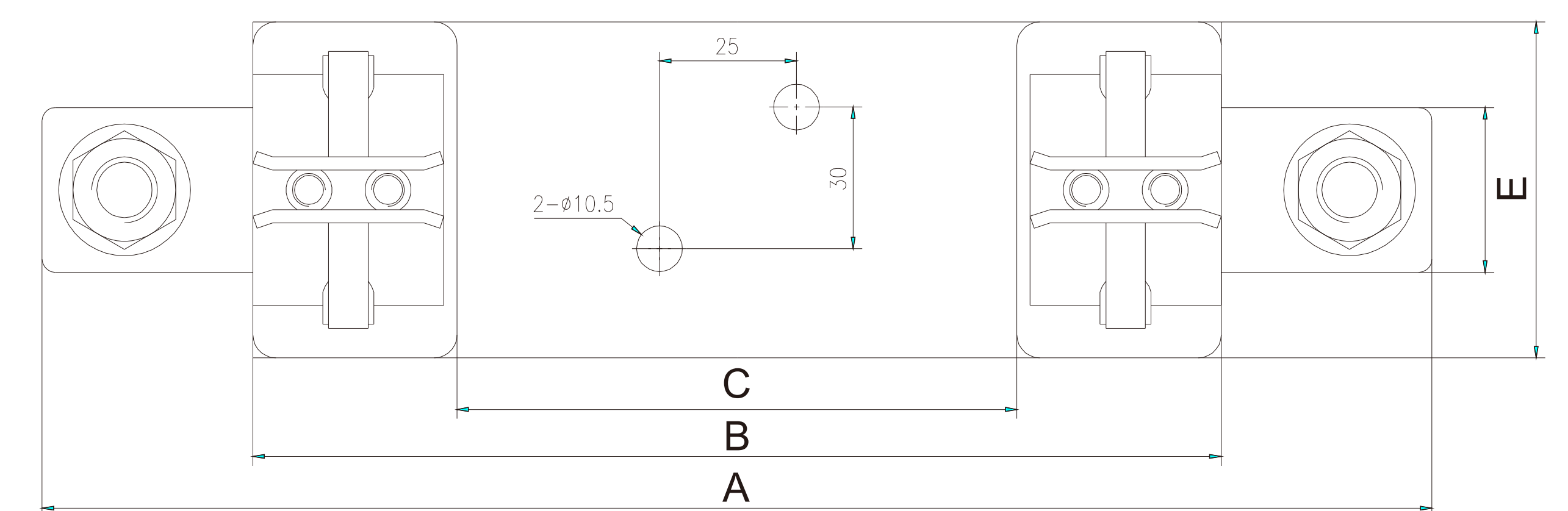
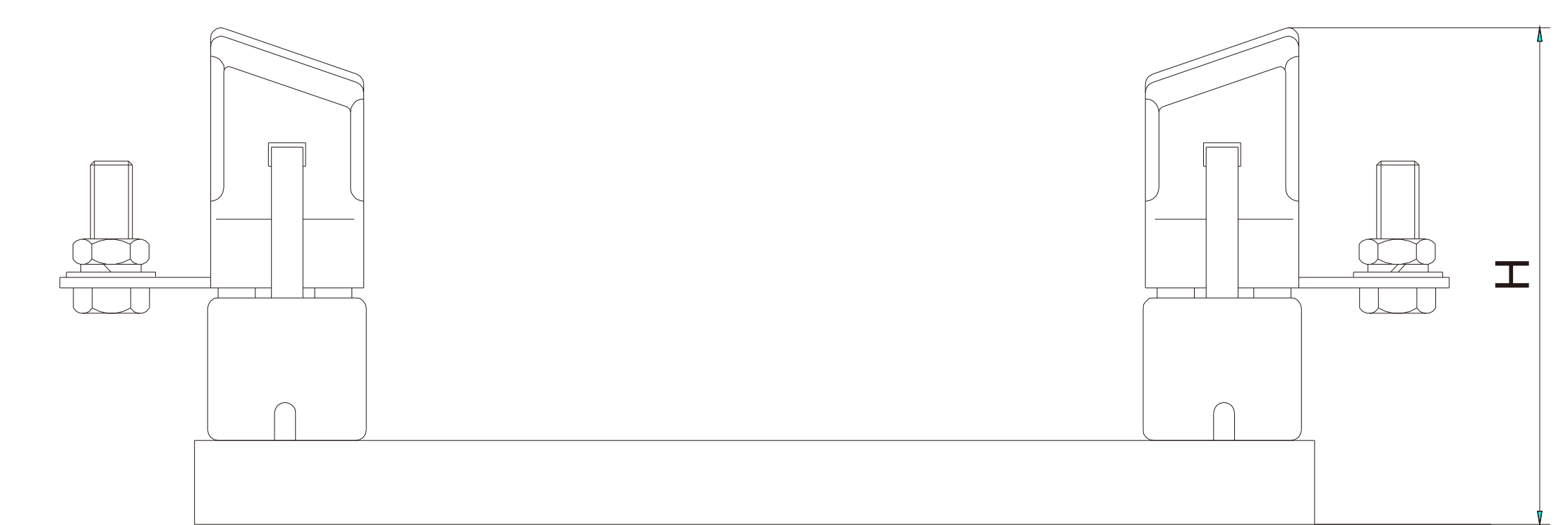
EFPV-H3L

EFPV-H1XLB	1500V DC
EFPV-H2XLB	1500V DC
EFPV-H3LB	1500V DC

Photovoltaic Fuse

- ✦ Rated Voltage: 1500V.dc;
- ✦ Class of Operation: gPV
- ✦ Standard: GB/T 13539.6 IEC 60269-6

Dimensions-mm



Model	Applicable fuse link	Rated voltage (V)	Rated current (A)	Overall dimension/size				
				A	B	C	E	H
EFPV-H1XLB	EFPV-H1XL	1500V DC	250	247	190	129	52	91
EFPV-H2XLB	EFPV-H2XL	1500V DC	400	278	210	135	63	104
EFPV-H3LB	EFPV-H3L	1500V DC	630	300	210	135	63	108