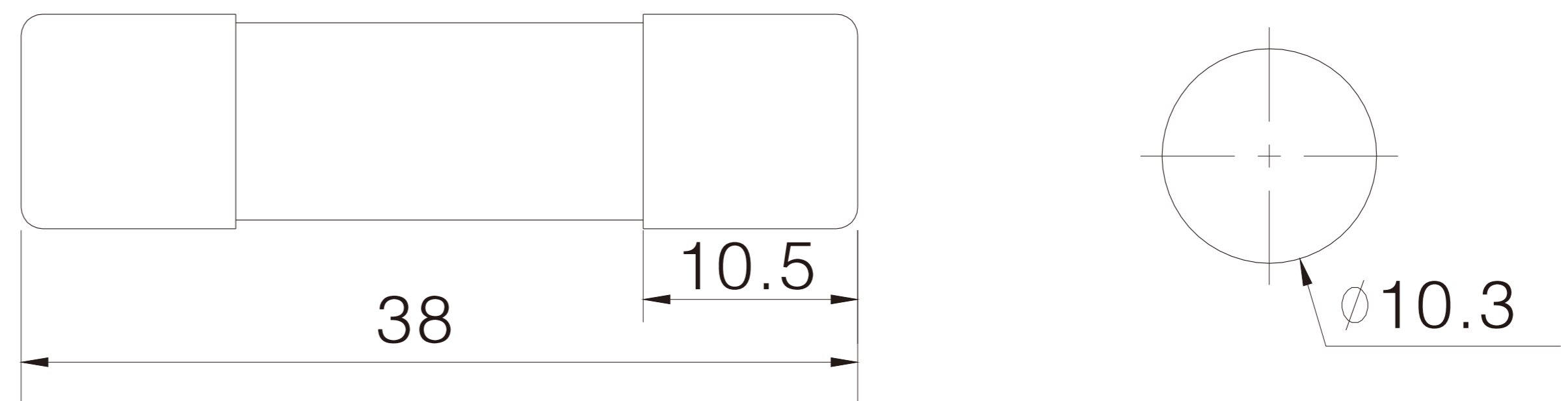


EF-10PV EFPV1038
1A-32A 1000V DC

Photovoltaic Fuse

- ☼ Fuse Size: 10 X 38mm;
- ☼ Class of Operation: gPV
- ☼ Standard: UL248-19 IEC 60269-6
- ☼ Breaking Capacity: 20kA
- ☼ Time Constant: 1-3ms

Dimensions-mm



EF-10PV

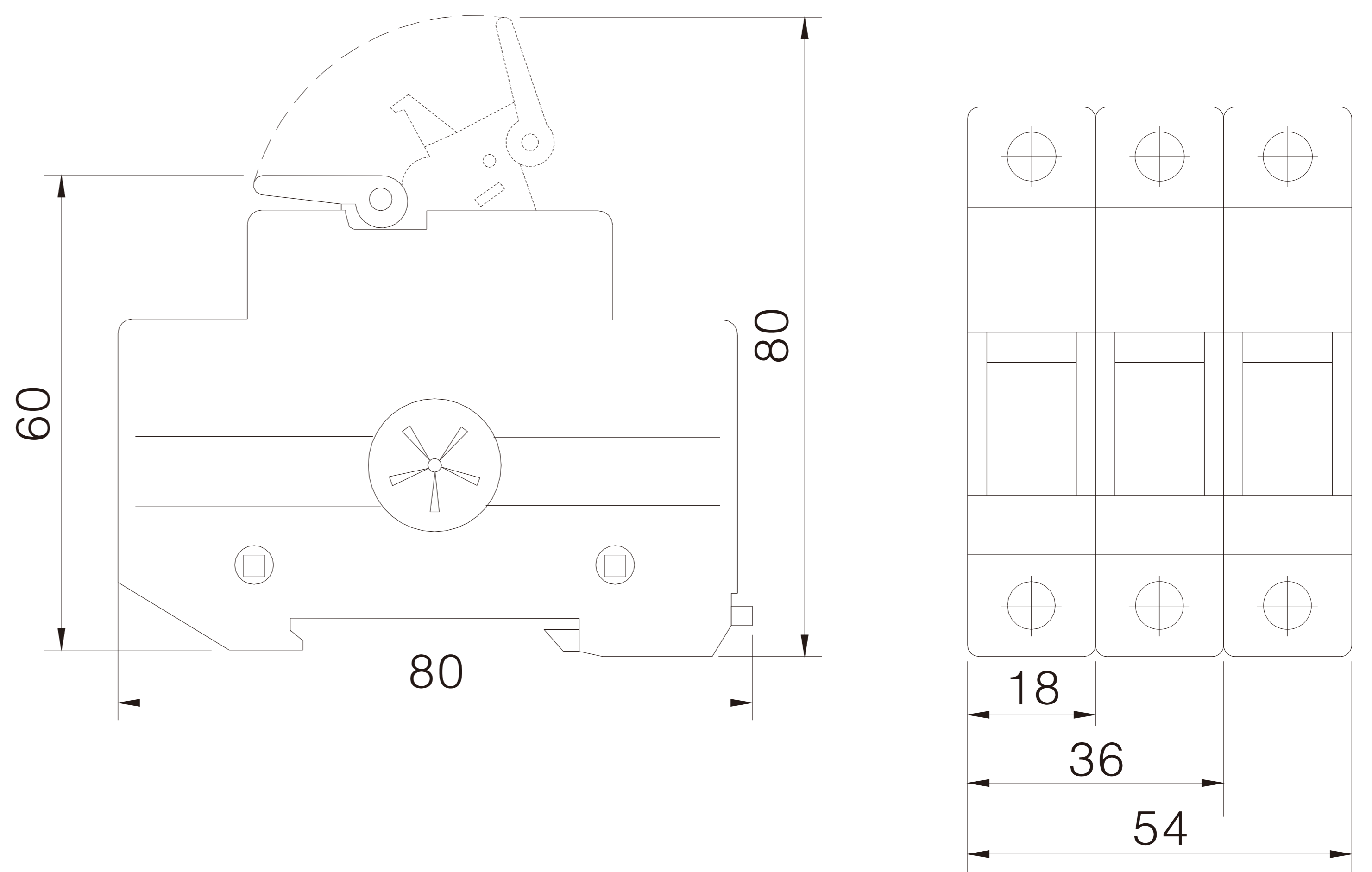


EFPV-32 32A 1000V DC (10X38)

Photovoltaic Fuse

- ☼ Rated Voltage : 1000V DC
- ☼ Class of Operation: gPV
- ☼ Standard: UL4248-19 IEC60269

Dimensions-mm



EFPV-32