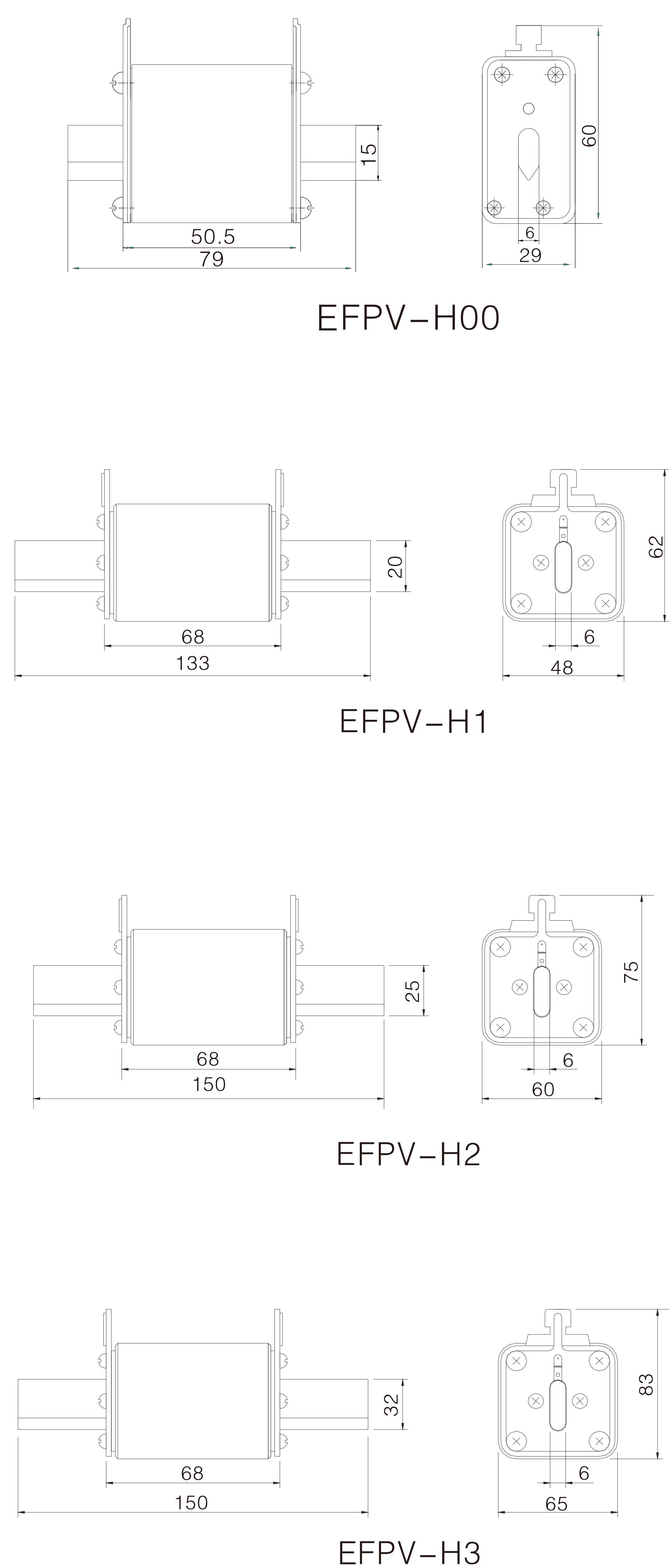


EFPV-H00 16-125A 1000V DC  
 EFPV-H1 32-200A 1000V DC  
 EFPV-H2 16-250A 1000V DC  
 EFPV-H3 250-500A 1000V DC

Photovoltaic Fuse

- Class of Operation: gPV
- Standard: GB/T 13539.6 IEC 60269-6
- Breaking Capacity: 50kA
- Time Constant: 1-3ms

Dimensions-mm

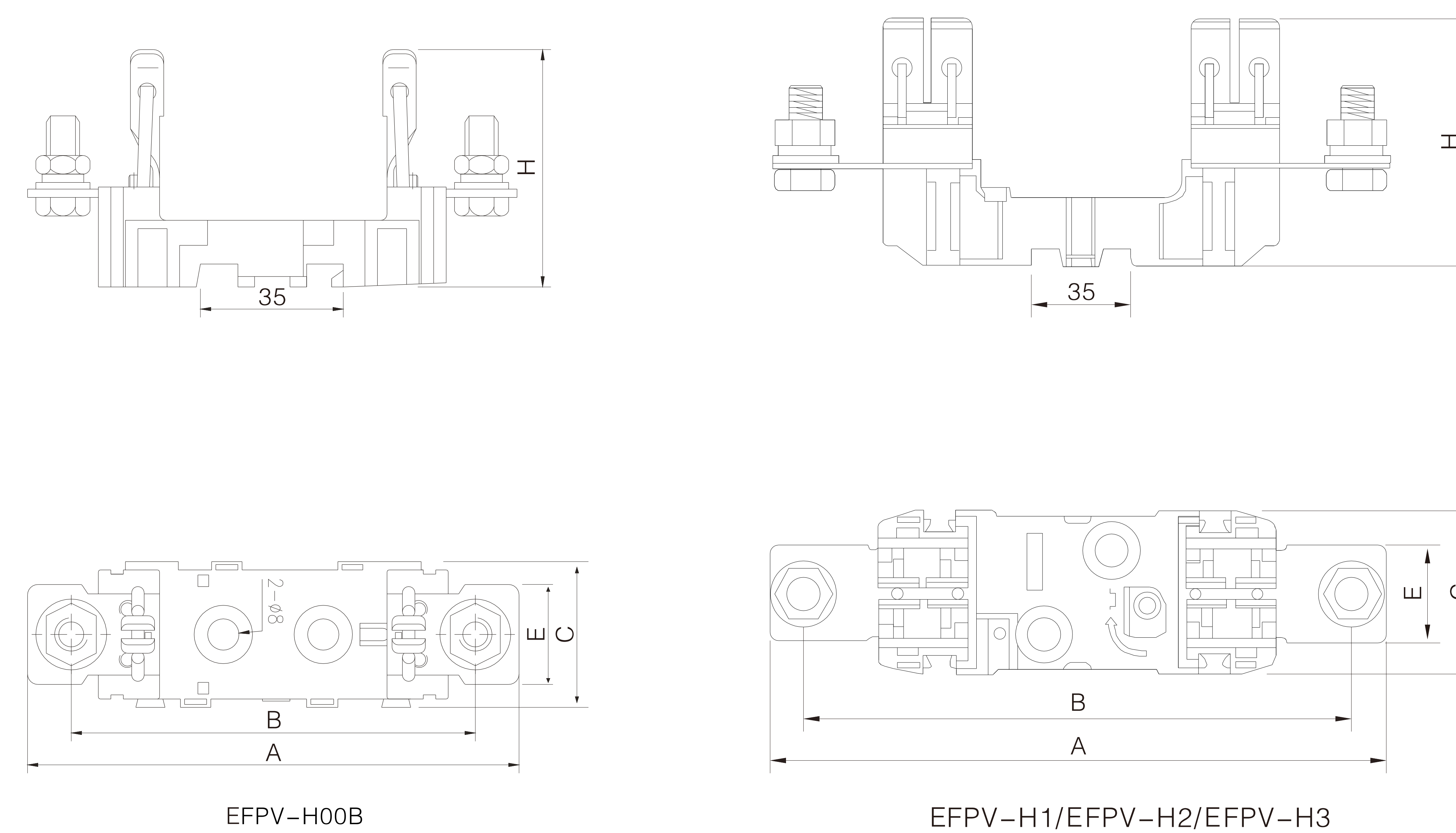


EFPV-H00B 1000V DC  
 EFPV-H1B 1000V DC  
 EFPV-H2B 1000V DC  
 EFPV-H3B 1000V DC

Photovoltaic Fuse

- Rated Voltage: 1000V.d.c;
- Class of Operation: gPV
- Standard: GB/T 13539.6 IEC 60269-6

Dimensions-mm



Model	Applicable fuse link	Rated voltage (V)	Rated current (A)	Overall dimension/size				
				A	B	C	E	H
EFPV-H00B	EFPV-H00 NH00	1000V DC	125	119	102	35	23	57
EFPV-H1B	EFPV-H1 NH1	1000V DC	200	208	176	58	32	82
EFPV-H2B	EFPV-H2 NH2	1000V DC	350	224	198	58	35	89
EFPV-H3B	EFPV-H3 NH3	1000V DC	500	239	207	58	40	106

