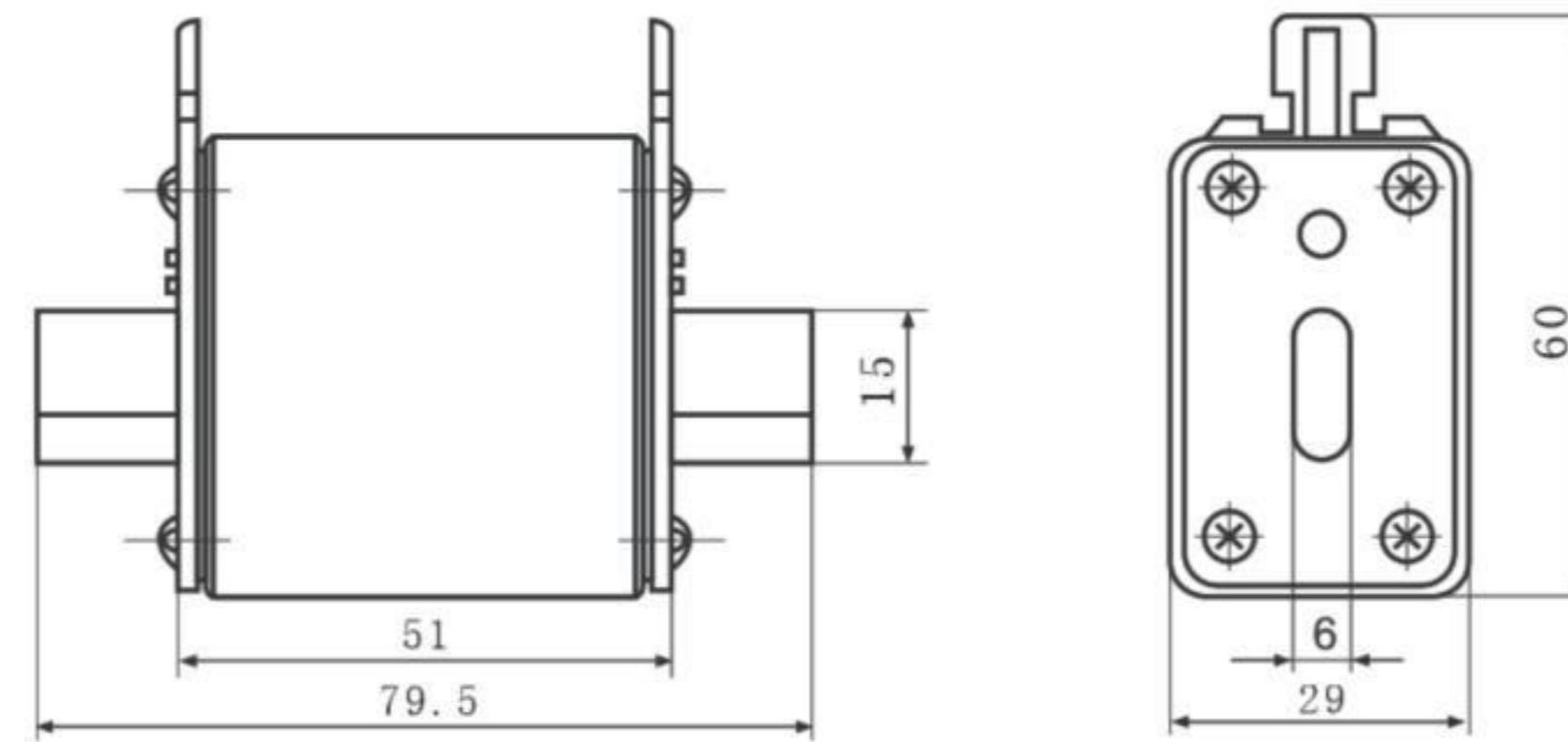




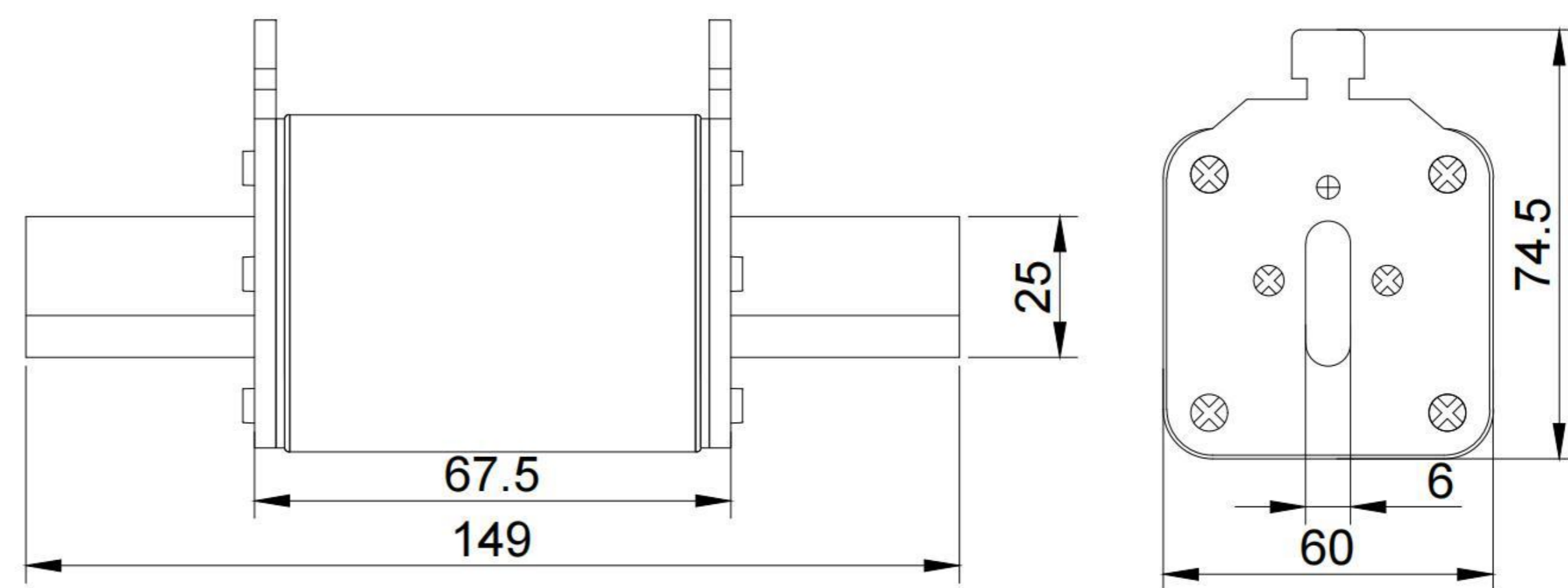
**ENH00 50-600A DC80V**

**ENH2 700-1000A DC80V**

- Class of Operation: gS
- Standard: IEC 60269
- Breaking Capacity: 25kA
- Time Constant: 1-3 ms



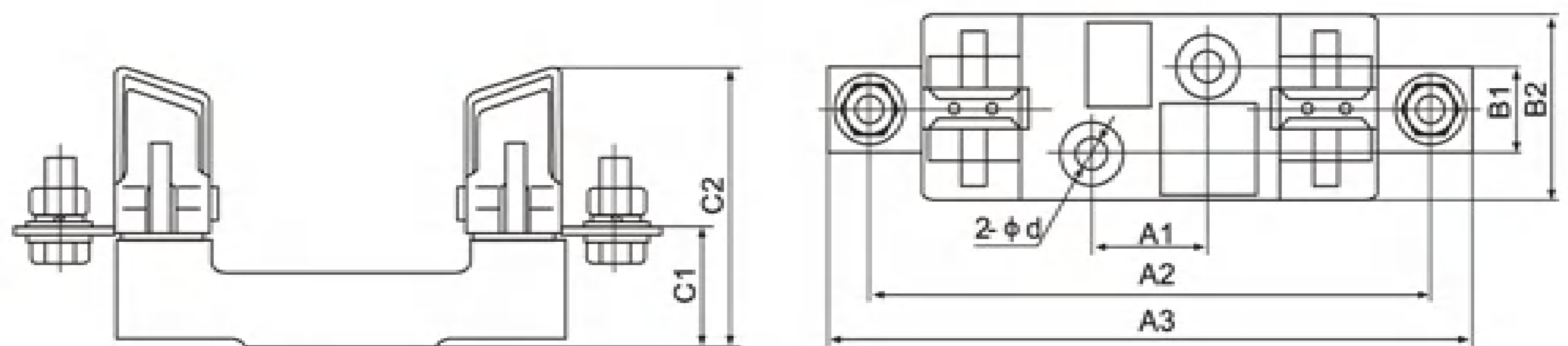
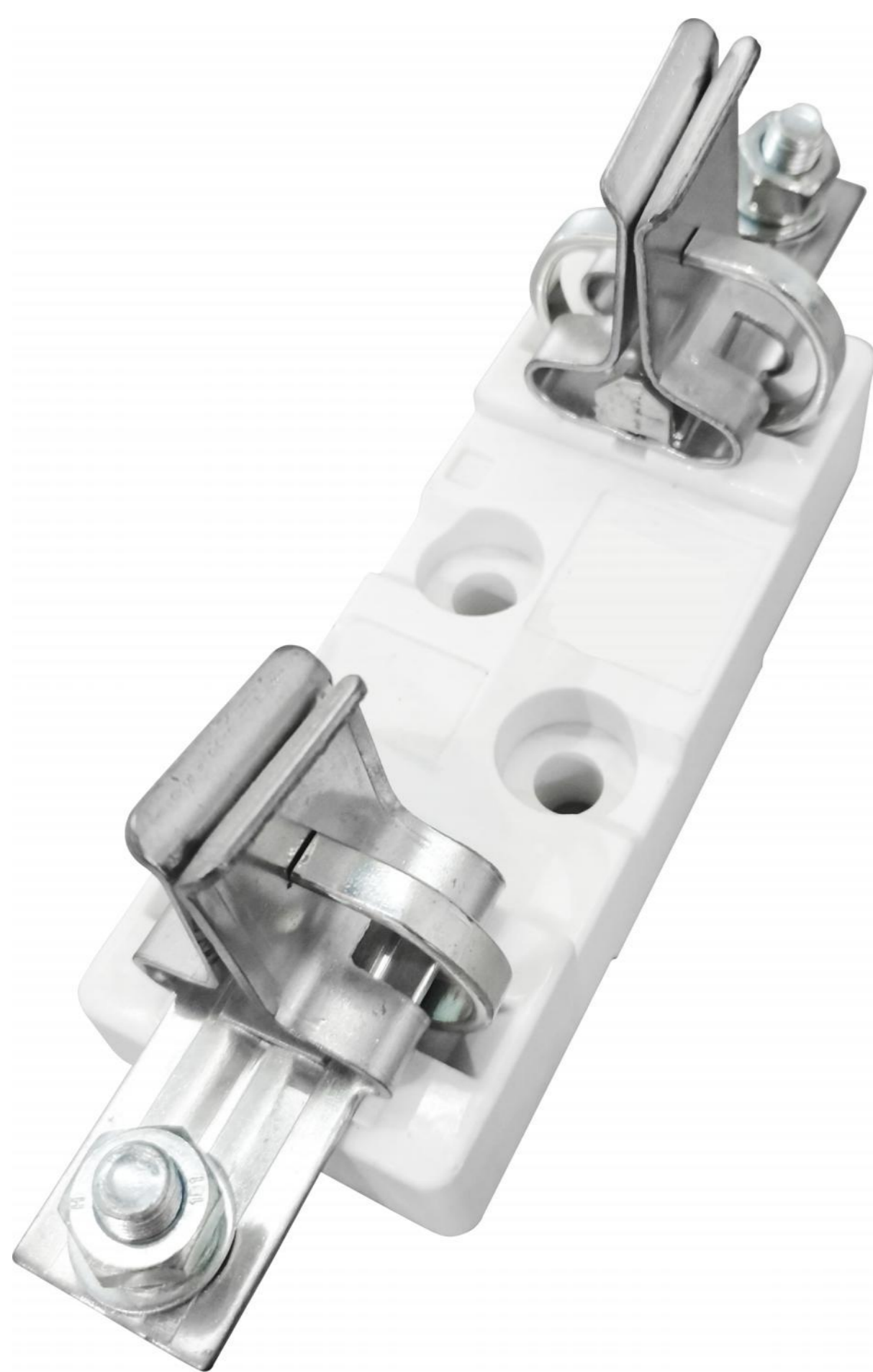
ENH00 gS



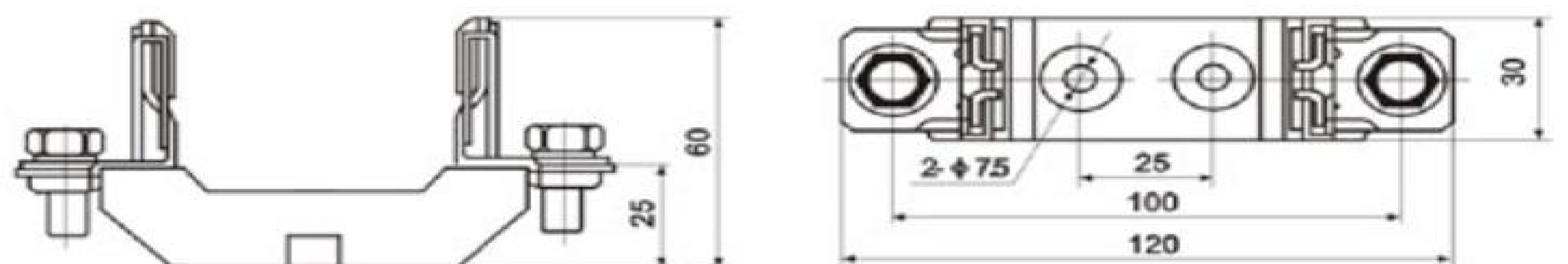
ENH2 gS

**ENH00B DC80V**

**ENH2B DC80V**



ENH2B



ENH00B