

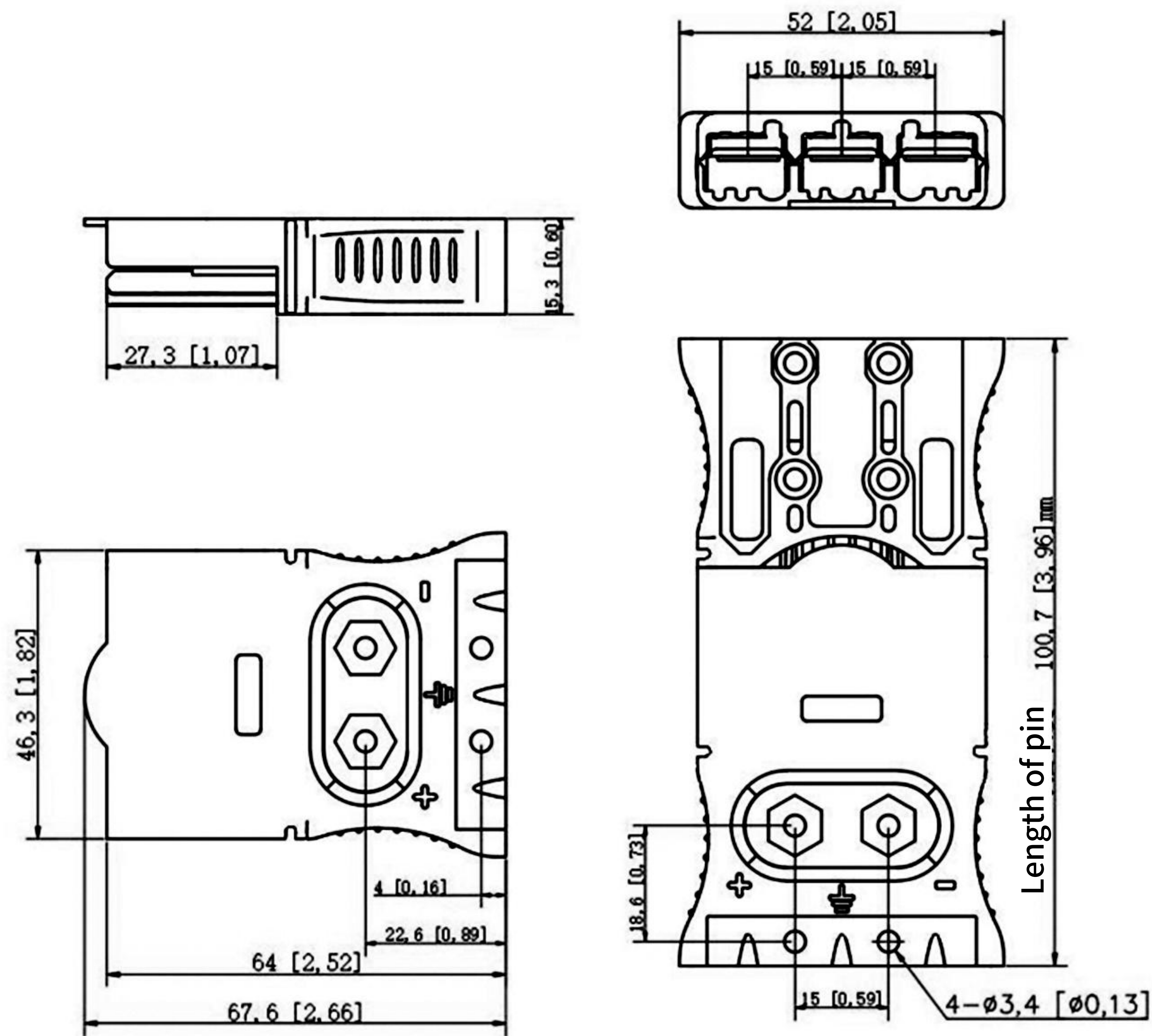
CHD-80A

Characteristic

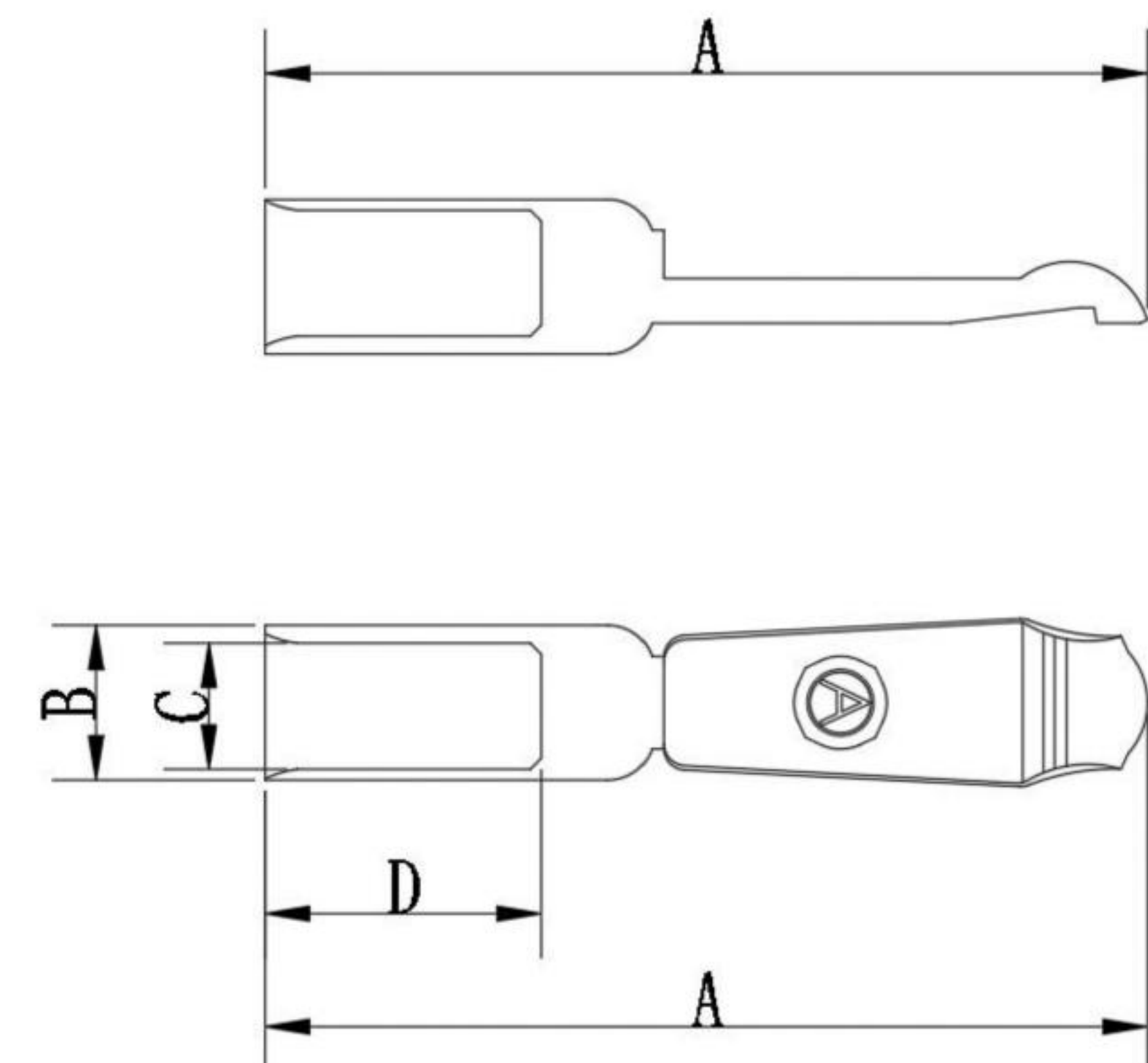


- Rated Current: 50A,80A,175A
- Rated Voltage : 600V
- No. of Poles: 3 Poles
- Color: Gray, Red, Blue, Yellow
- Material of Terminal: Copper,Silver plated
- Material of Housing: PC
- Flammability: UL94 V-0

Installation & Size



Terminal



Model	A (mm)	B (mm)	C (mm)	D (mm)	Wire
CHD80A-T1	39.9	7.0	5.6	12.5	6AWG
CHD80A-T2	39.9	7.0	4.7	12.5	8AWG
CHD80A-T3	39.9	7.0	3.5	12.5	10AWG/12AWG