

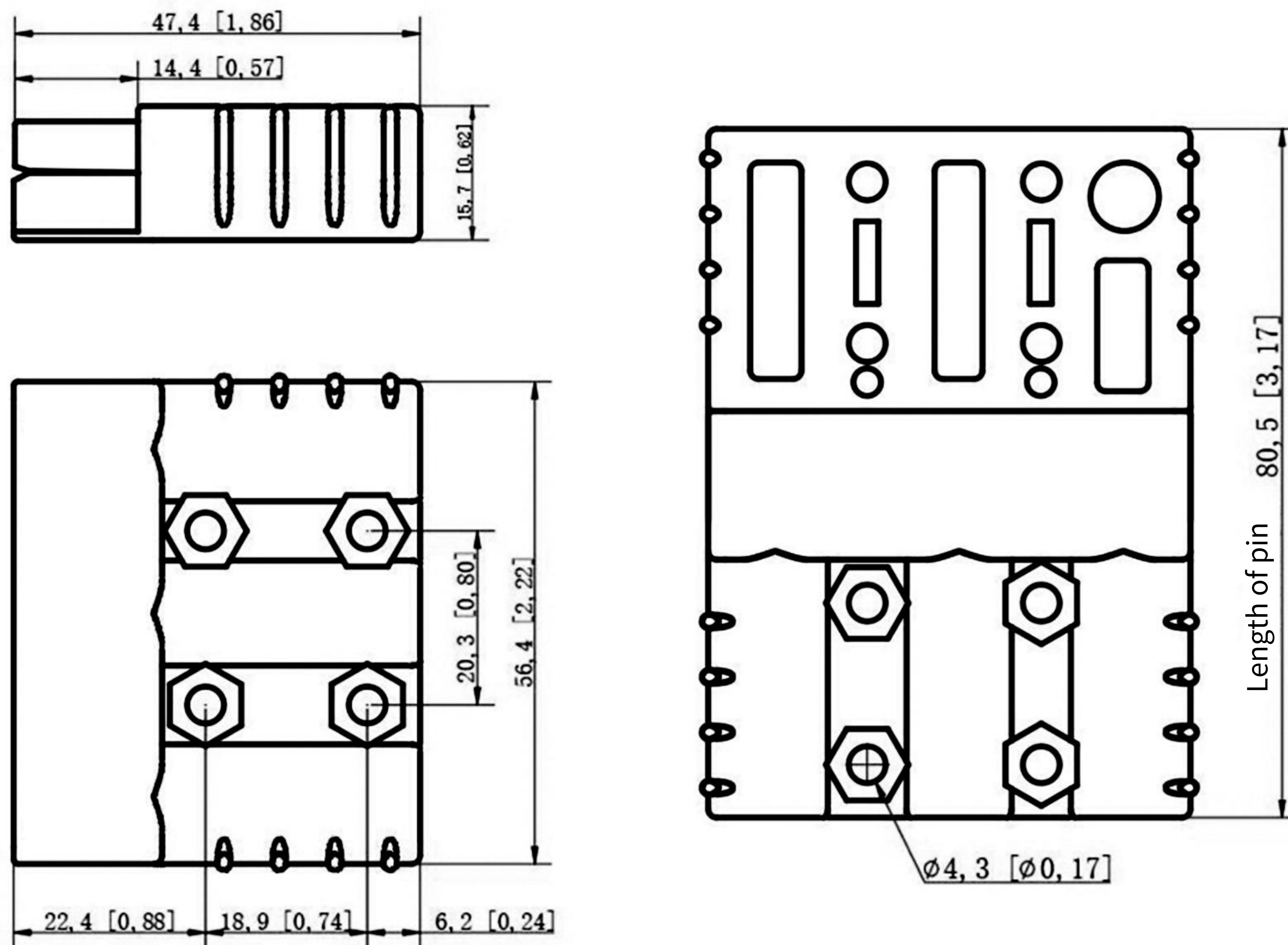
CHD-50A

Characteristic

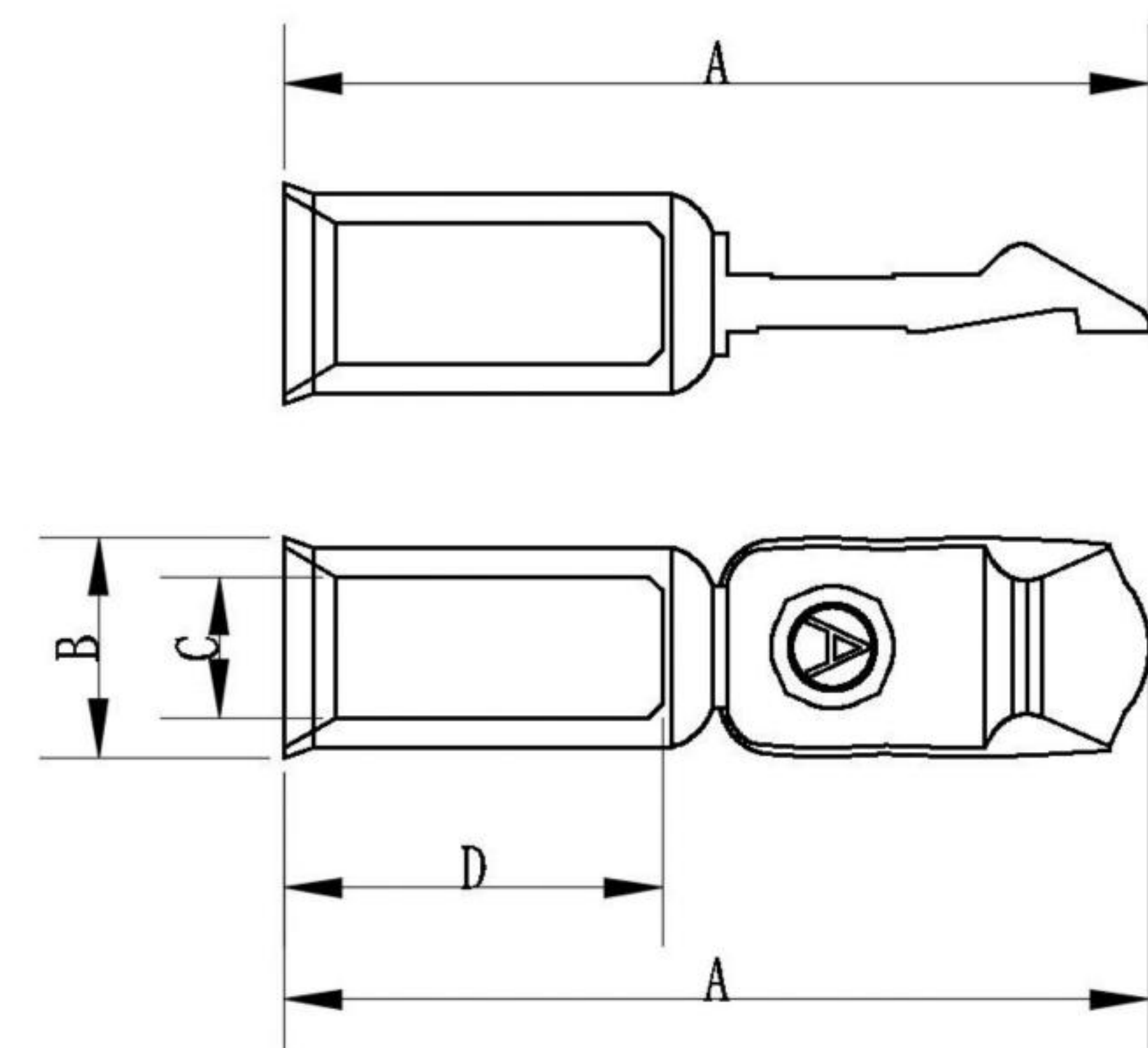


- Rated Current: 50A,80A,175A
- Rated Voltage : 600V
- No. of Poles: 3 Poles
- Color: Gray, Red, Blue, Yellow
- Material of Terminal: Copper,Silver plated
- Material of Housing: PC
- Flammability: UL94 V-0

Installation & Size



Terminal



Model	A (mm)	B (mm)	C (mm)	D (mm)	Wrie
CHD50A-T1	29.7	7.1	5.6	12.5	6AWG
CHD50A-T2	29.7	7.1	4.7	12.5	8AWG
CHD50A-T3	29.7	7.1	3.5	12.5	10AWG/12AWG