

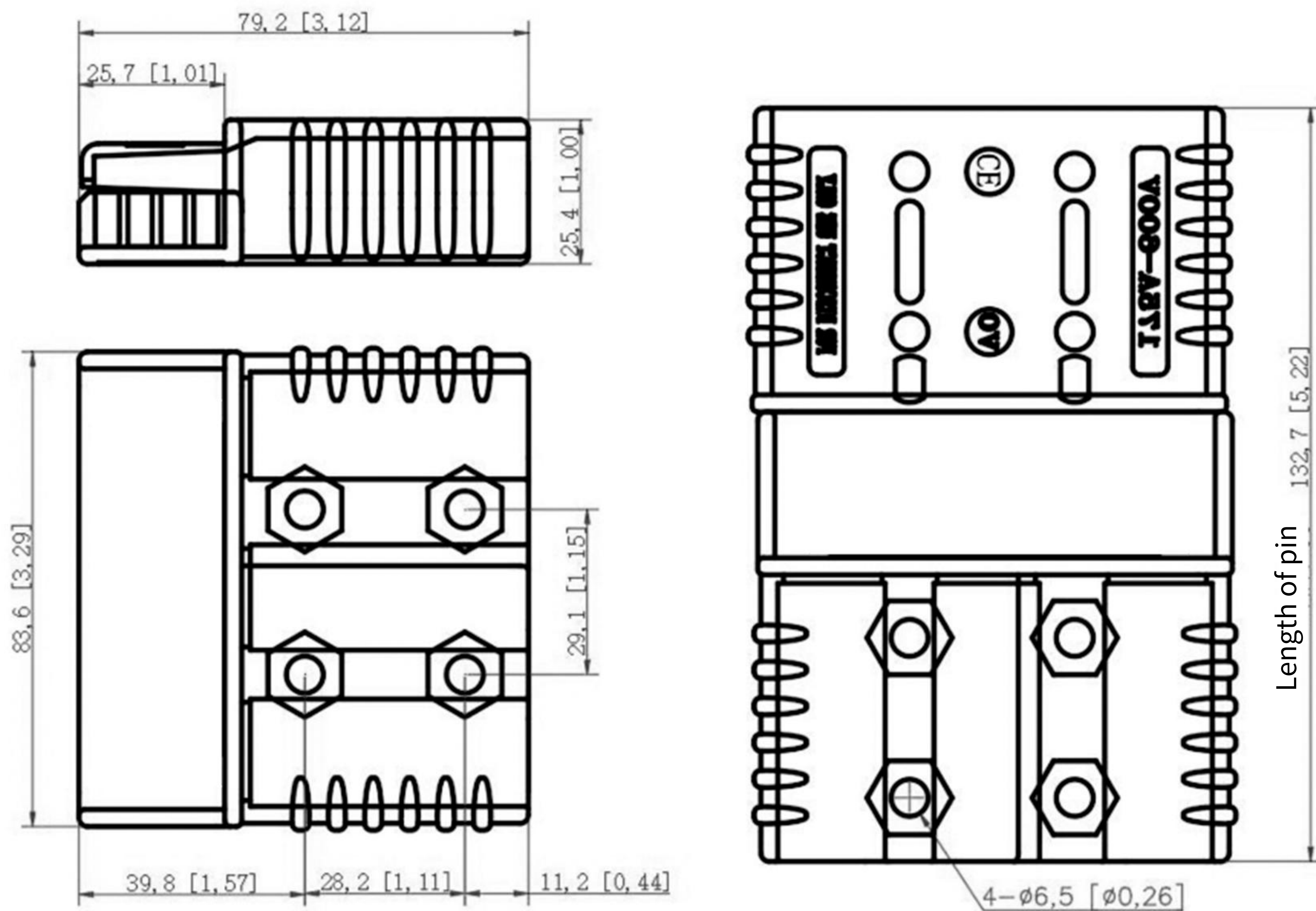
CHD-175A

Characteristic

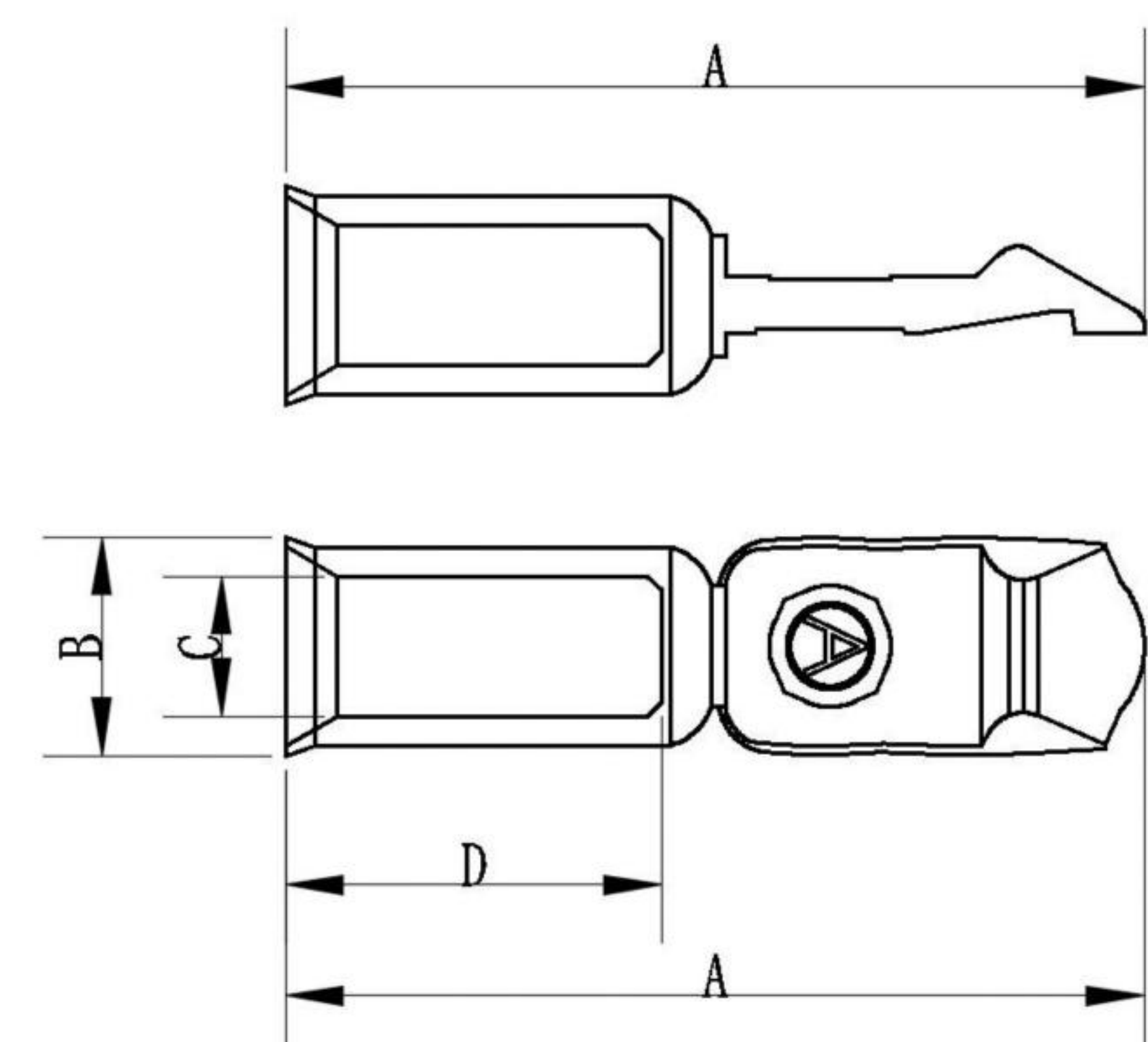


- Rated Current: 50A,80A,175A
- Rated Voltage : 600V
- No. of Poles: 3 Poles
- Color: Gray, Red, Blue, Yellow
- Material of Terminal: Copper,Silver plated
- Material of Housing: PC
- Flammability: UL94 V-0

Installation & Size



Terminal



Model	A (mm)	B (mm)	C (mm)	D (mm)	Wrie
CHD175A-T1	58.4	10.0	6.0	27.5	6AWG
CHD175A-T2	58.4	11.0	8.3	27.5	4AWG
CHD175A-T3	58.4	13.0	9.3	27.5	2AWG
CHD175A-T4	58.4	13.0	10.9	27.5	1/0AWG