

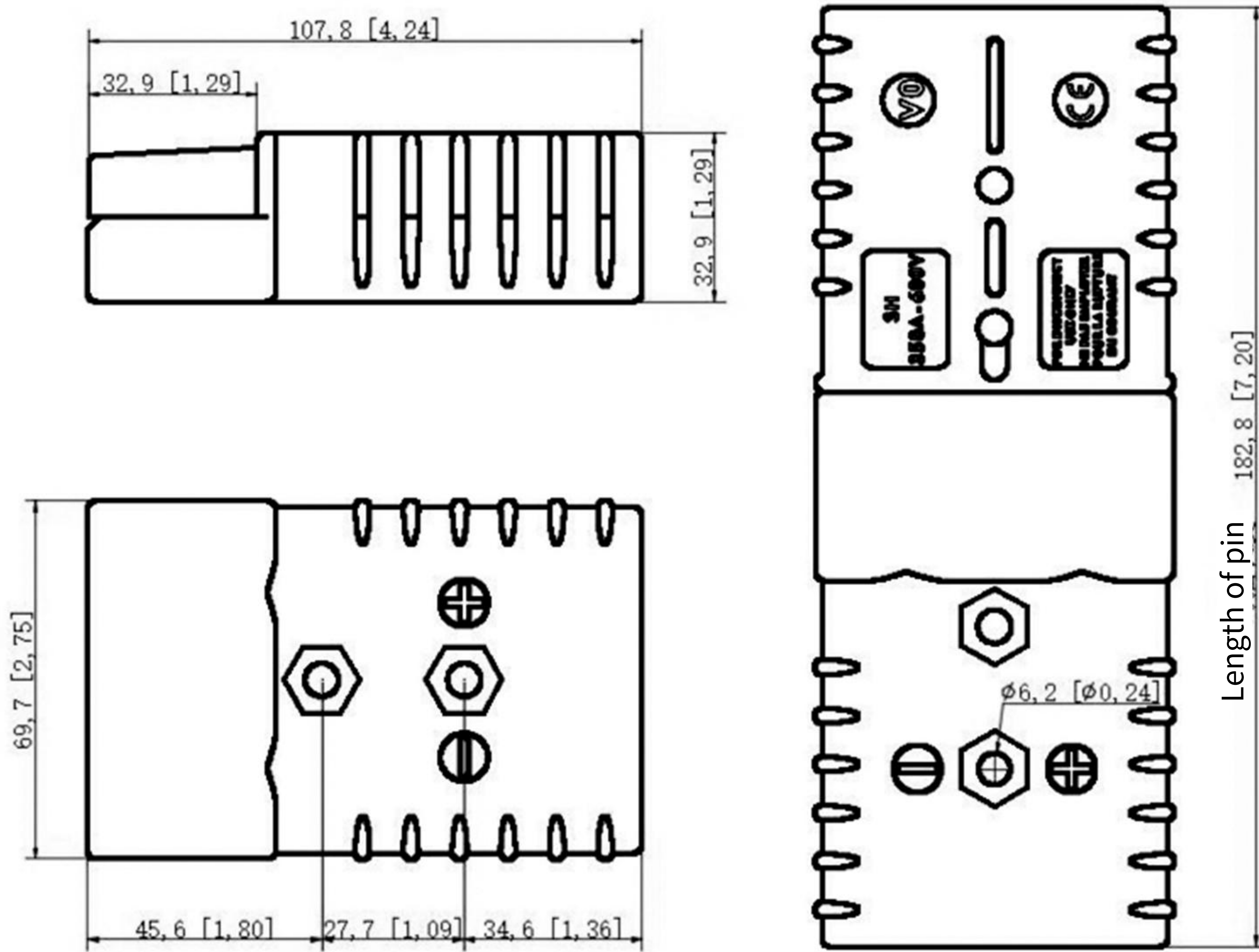
CH-350A



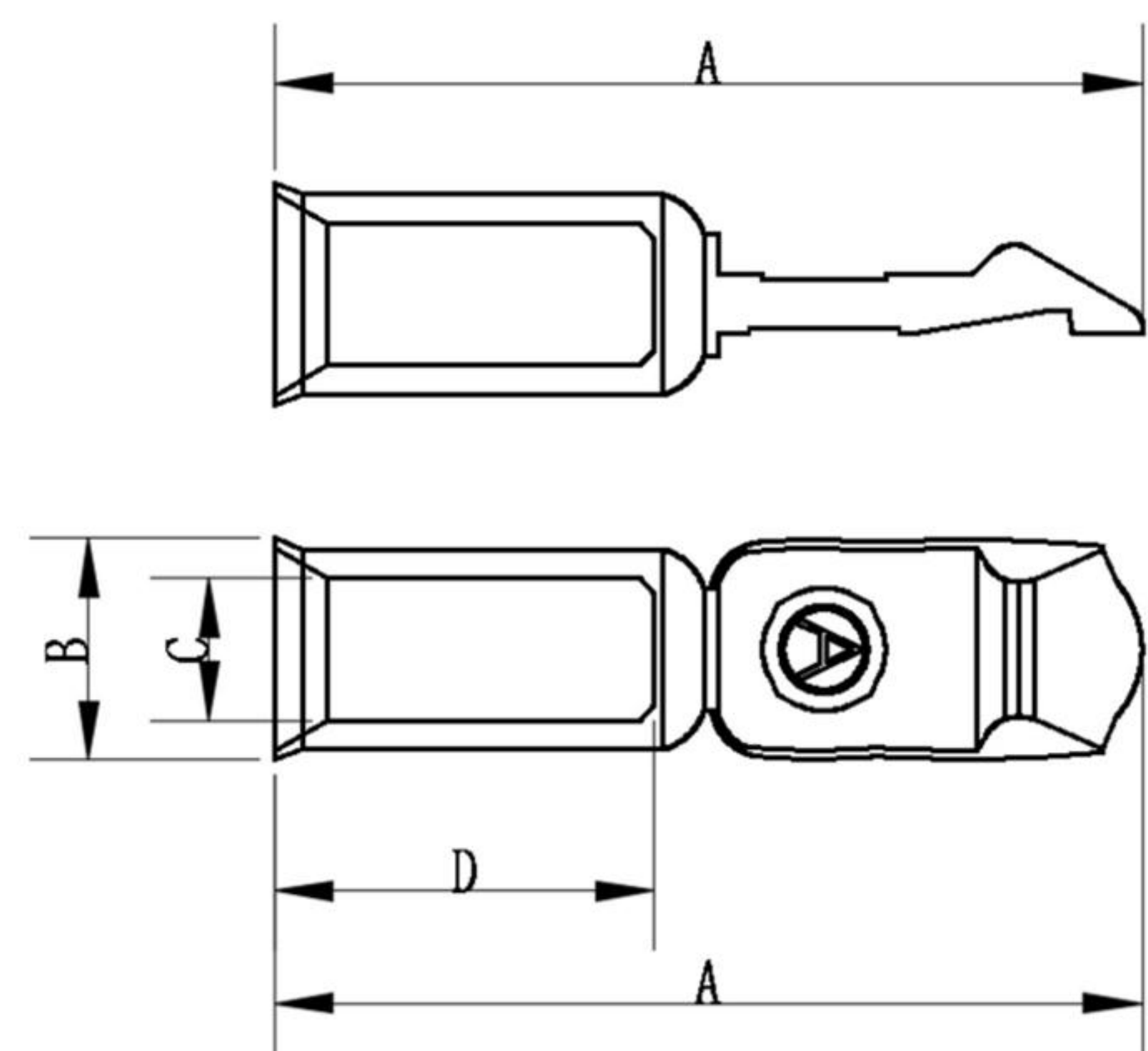
Characteristic

- Rated Current: 50A,80A,120A,175A,350A
- Rated Voltage : 600V
- No. of Poles: 2 Poles
- Color: Gray, Red, Blue, Yellow
- Material of Terminal: Copper,Silver plated
- Material of Housing: PC
- Flammability: UL94 V-0

Installation & Size



Terminal



Model	A (mm)	B (mm)	C (mm)	D (mm)	Wire
CH350A-T1	71.8	13.0	11.1	31.0	1/0AWG
CH305A-T2	71.8	16.0	12.7	31.0	2/0AWG