

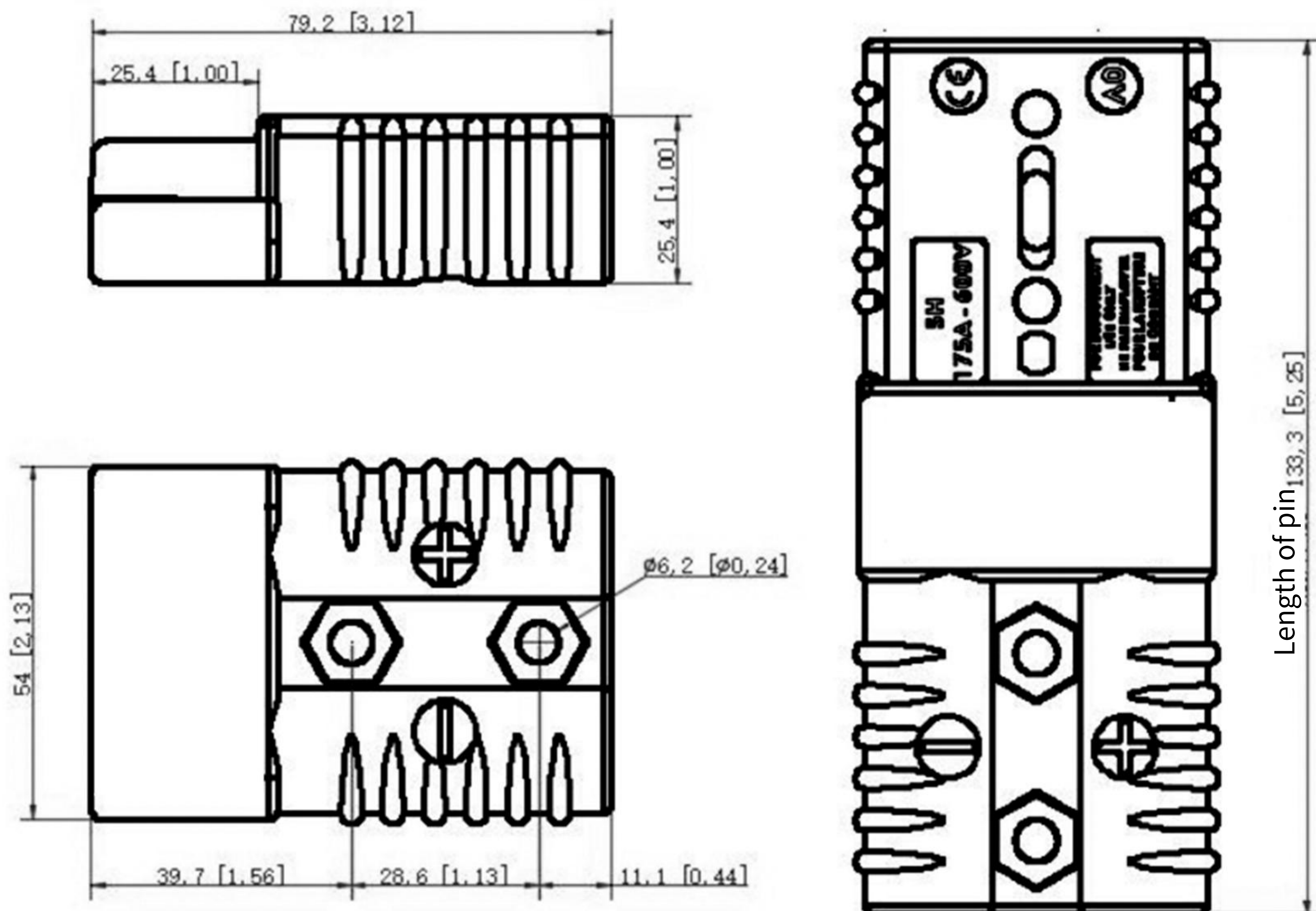
# CH-175A



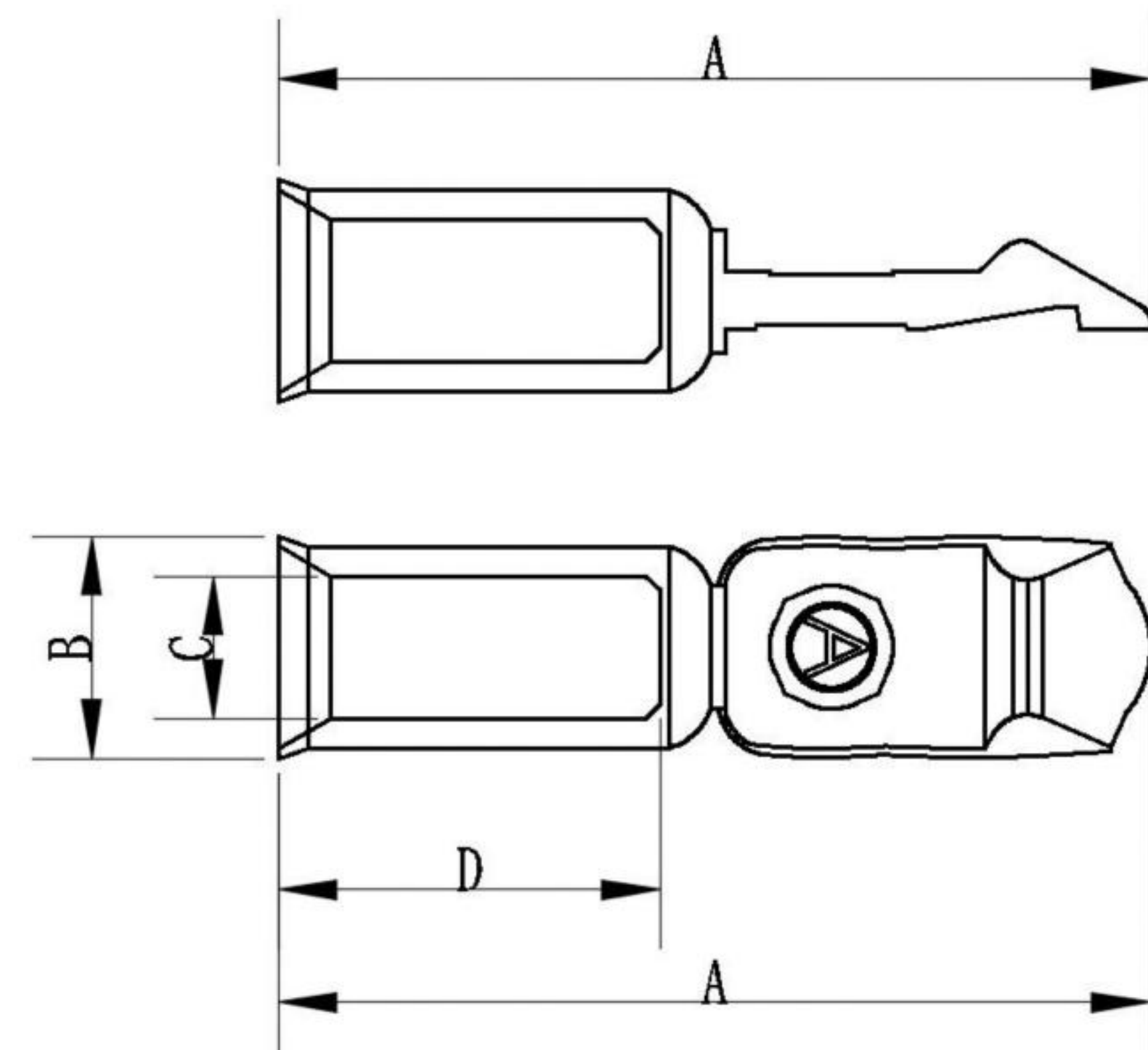
## Characteristic

- Rated Current: 50A,80A,120A,175A,350A
- Rated Voltage : 600V
- No. of Poles: 2 Poles
- Color: Gray, Red, Blue, Yellow
- Material of Terminal: Copper,Silver plated
- Material of Housing: PC
- Flammability: UL94 V-0

## Installation & Size



## Terminal



Model	A (mm)	B (mm)	C (mm)	D (mm)	Wire
CH175A-T1	58.4	10.0	6.0	27.5	6AWG
CH175A-T2	58.4	11.0	8.3	27.5	4AWG
CH175A-T3	58.4	13.0	9.3	27.5	2AWG
CH175A-T4	58.4	13.0	10.9	27.5	1/0AWG