

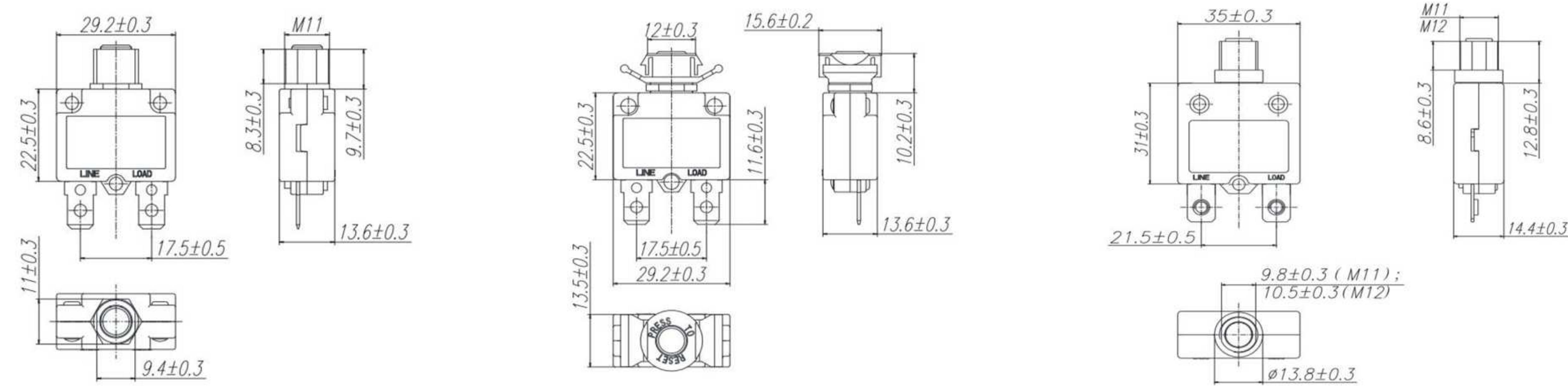
BC5



Characteristic

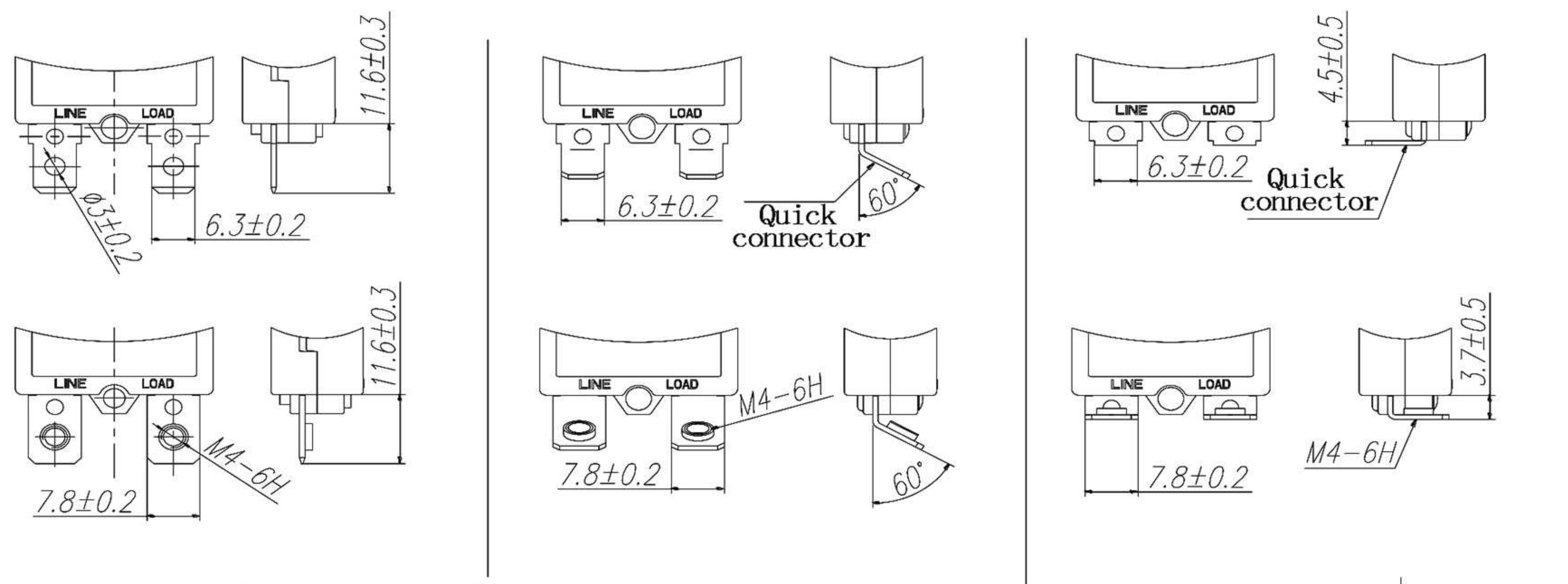
- Maximum voltage:125/250VAC 50/60 Hz,32/65VDC
- Current Ratings:3A-50A
- Operating Temperature Range:-10°C~ +60°C
- Approved certificate: CCC, TUV, CSA, UL
- Applications: industrial automation equipment, telecommunication equipment, communication power , UPS and so on.

Delay Type	1IN	2IN	3IN	4IN	5IN	6IN
	No tripping	4s--40s	1.8s--7.6s	1s--4.5s	0.6s--3s	0.4s--2.2s

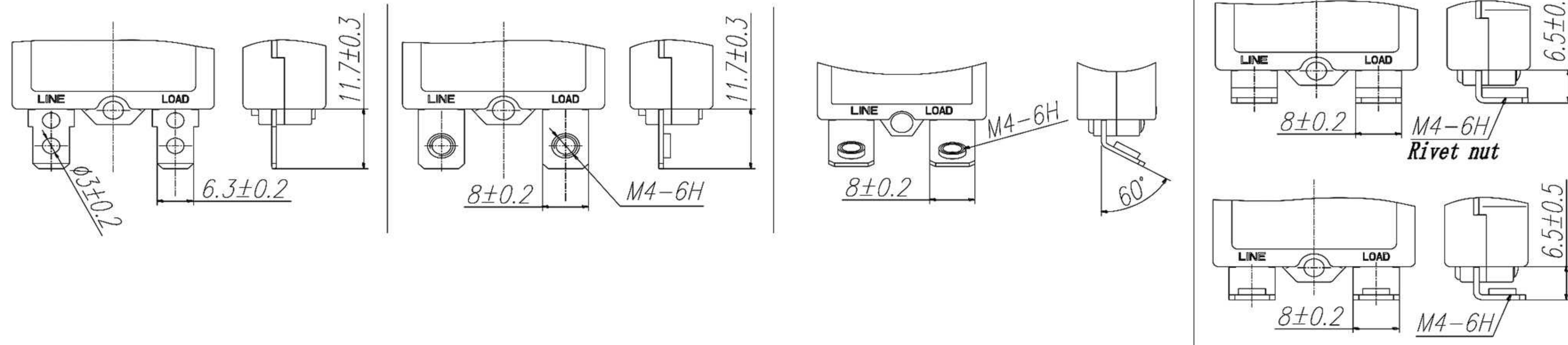


Terminal Type

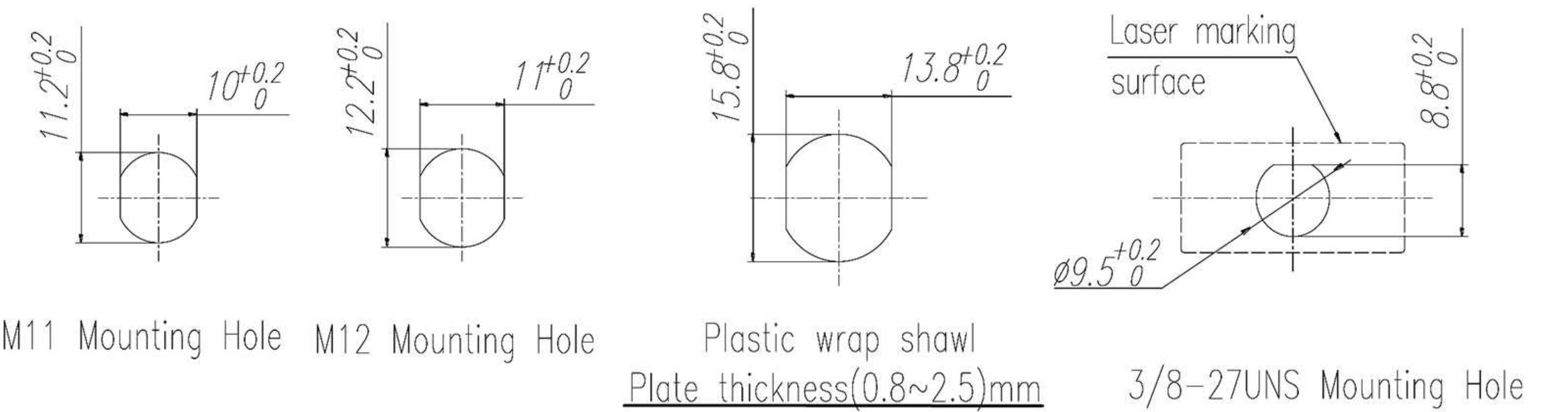
BC5-25Terminal



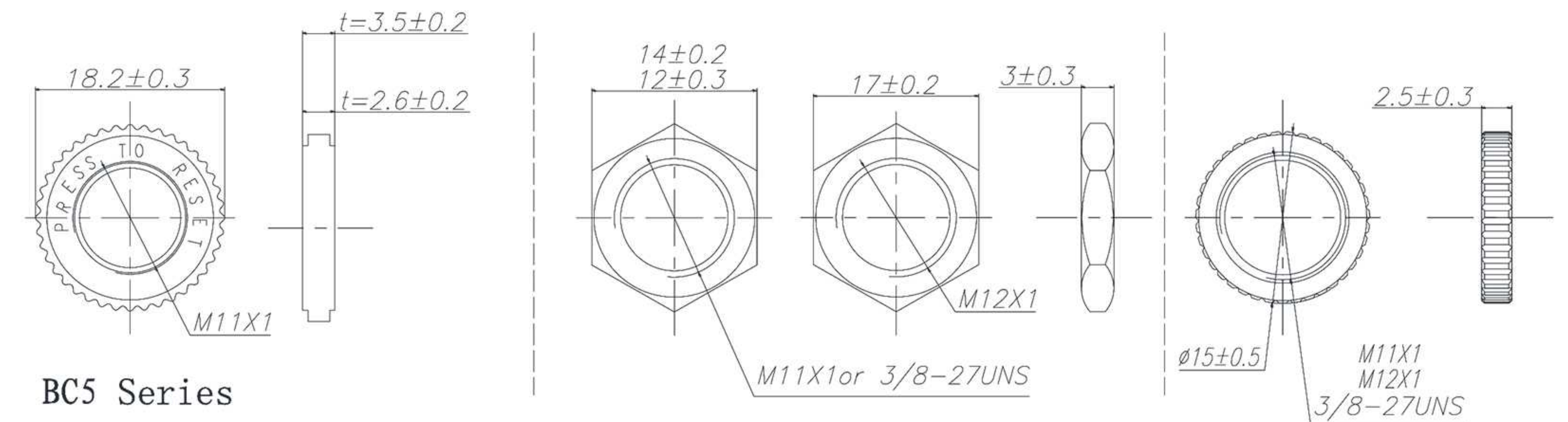
BC5-50Terminal



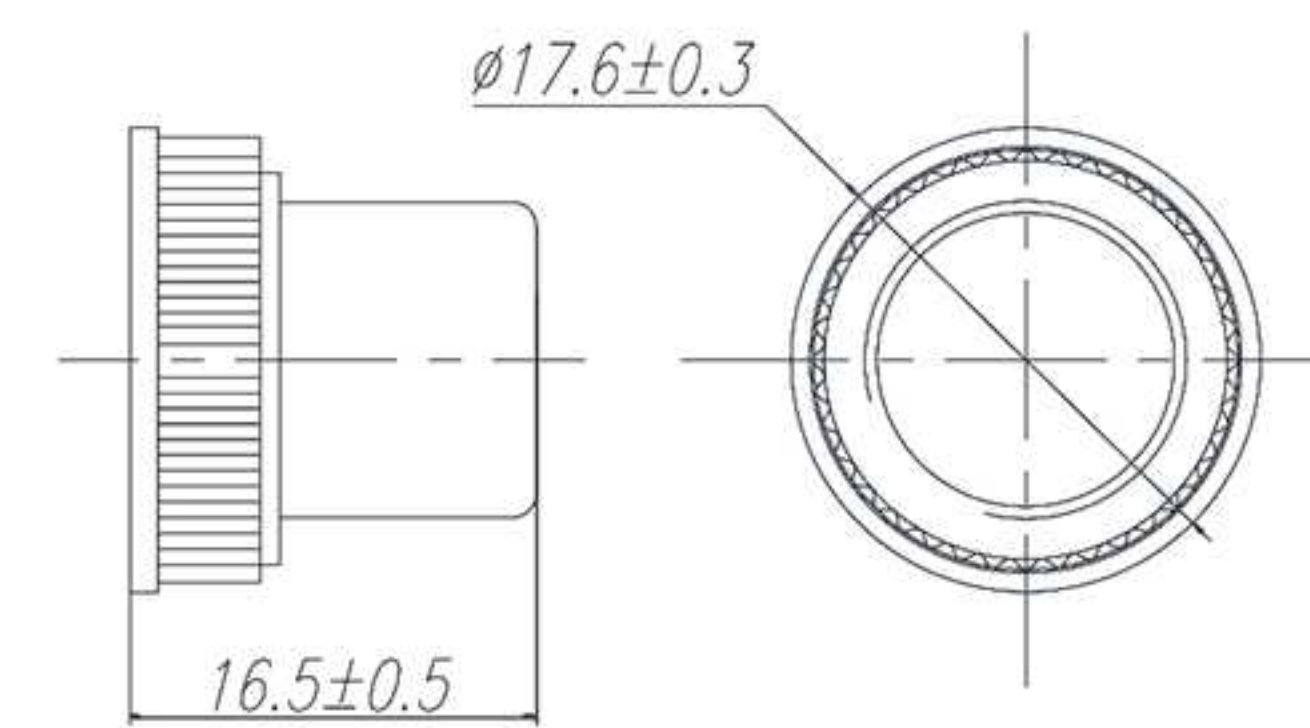
BC5Series Mounting Dimension



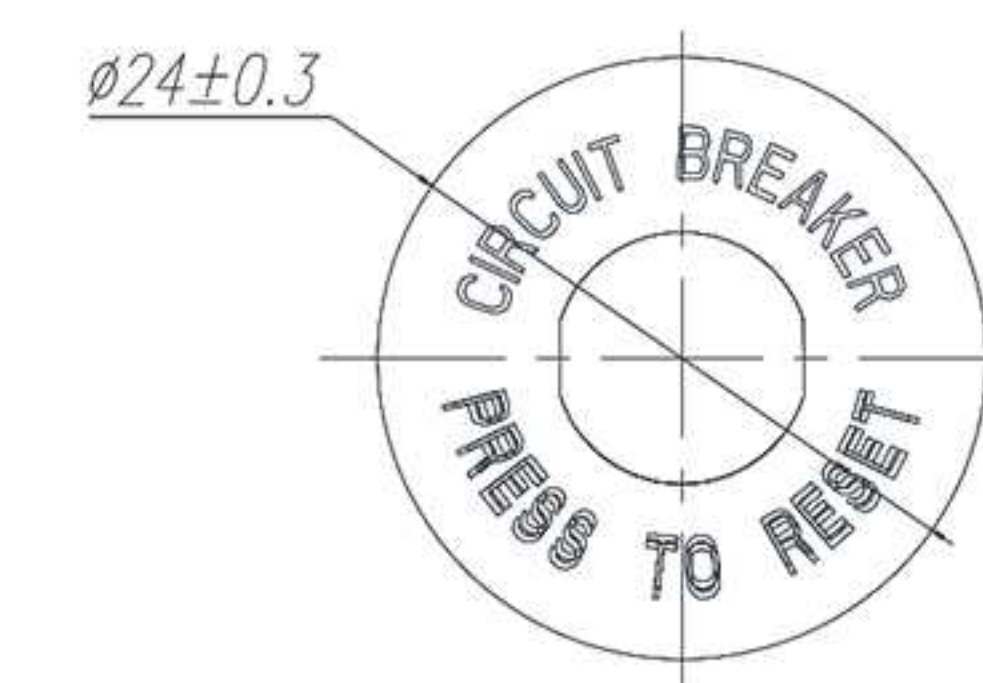
Nut Type



Waterproof cap



Label



Specification and code implication(for selection)

B C 5 -50/ 30.0/250- 3 - 1 - 0 - 1 - 0 - 1 - E - ****

1 2 3 4 5 6 7 8 9 10 11 12 13 14

No	Specification	Code
1	Company Code	BC5
2	Type	Supplementary protector
3	Design No.	5 Series
4	Case Current	Max. 50A
5	Rated Current	5A~50A
6	Rated Voltage	250: 125V/250VAC 65: 65VDC 32: 32VDC
7	Button Color	1: Lettering in black; 2: Lettering in red; 3: no character with black background; 4: no character with red background; 5: Laser lettering in black; 6: Laser lettering in red
8	Mounting Sleeves	1: M11; 2: M12
9	Waterproof	0: without; 1: with waterproof cap
10	Terminal	1: quick connector; 2: M4 straight terminal; 3: M4 bent terminal; 4: M4 bend terminal with riveted nut
11	Label	0: without; 1: PVC label; 2: aluminum label
12	Nut	1: Hex iron nut; 2: Copper nut; 3: double nut; 4: Nut (knurled)
13	Approvals	E: CSA/UL1077, TUV, CCC; K: CCC&TUV
14	Customer Code	**** (if needed)