

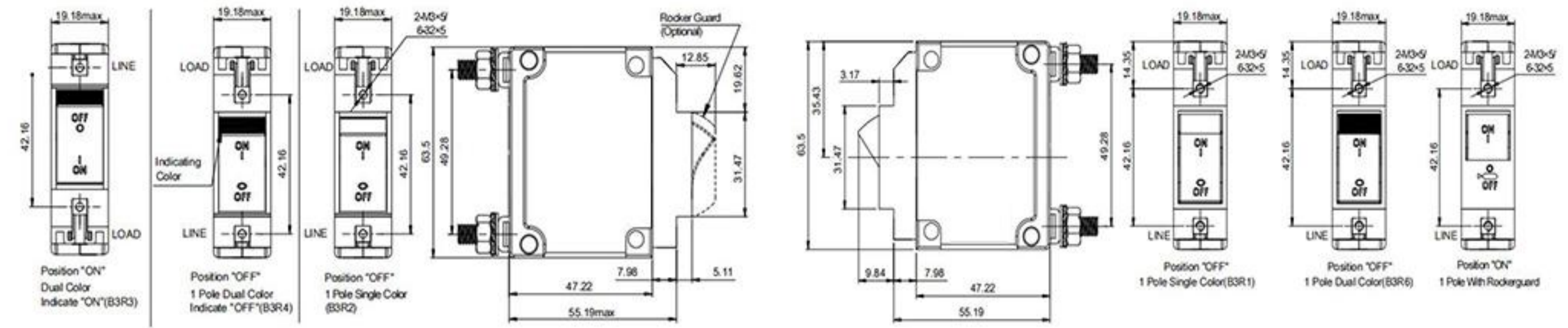
B3



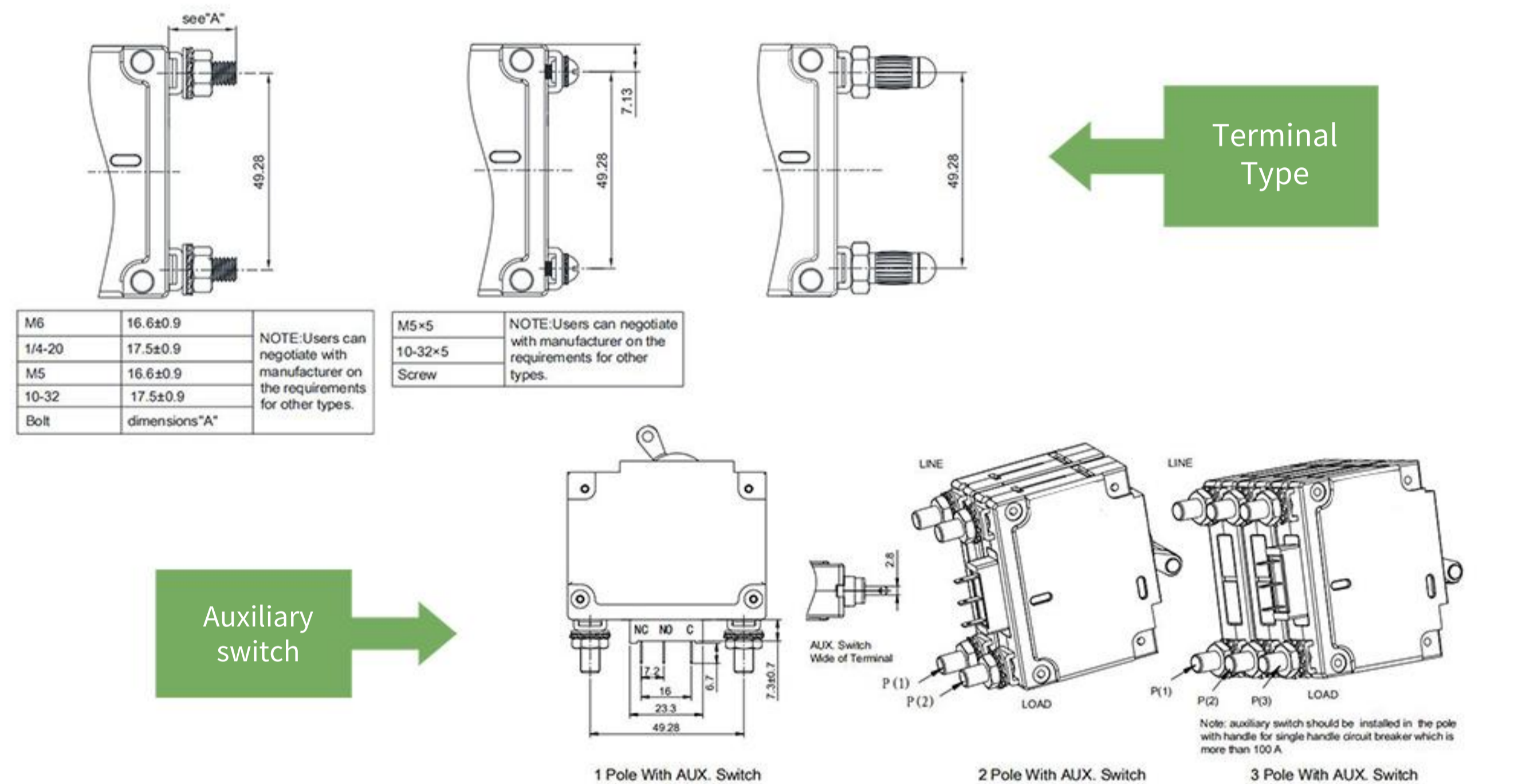
Characteristic

- Maximum voltage: 480/277VAC 50/60 Hz, 80VDC
- Current Ratings: 1A to 100A(UL489A 1P up to 125A)
- Auxiliary switch: SPDT,5A 250VAC, 1.0A 80VDC.
- Poles: 1pole, 2poles, 3poles
- Operating Temperature: -40°C ~ +85°C
- Approved Certificates: CCC, TUV, UL
- Application: computer and peripheral equipment, industrial automatic control system, telecom equipment, power supply system, UPS, railroad, marine, spacecraft, elevator, portable power supply and so on. Maximum voltage: 415VAC 50/60 Hz.

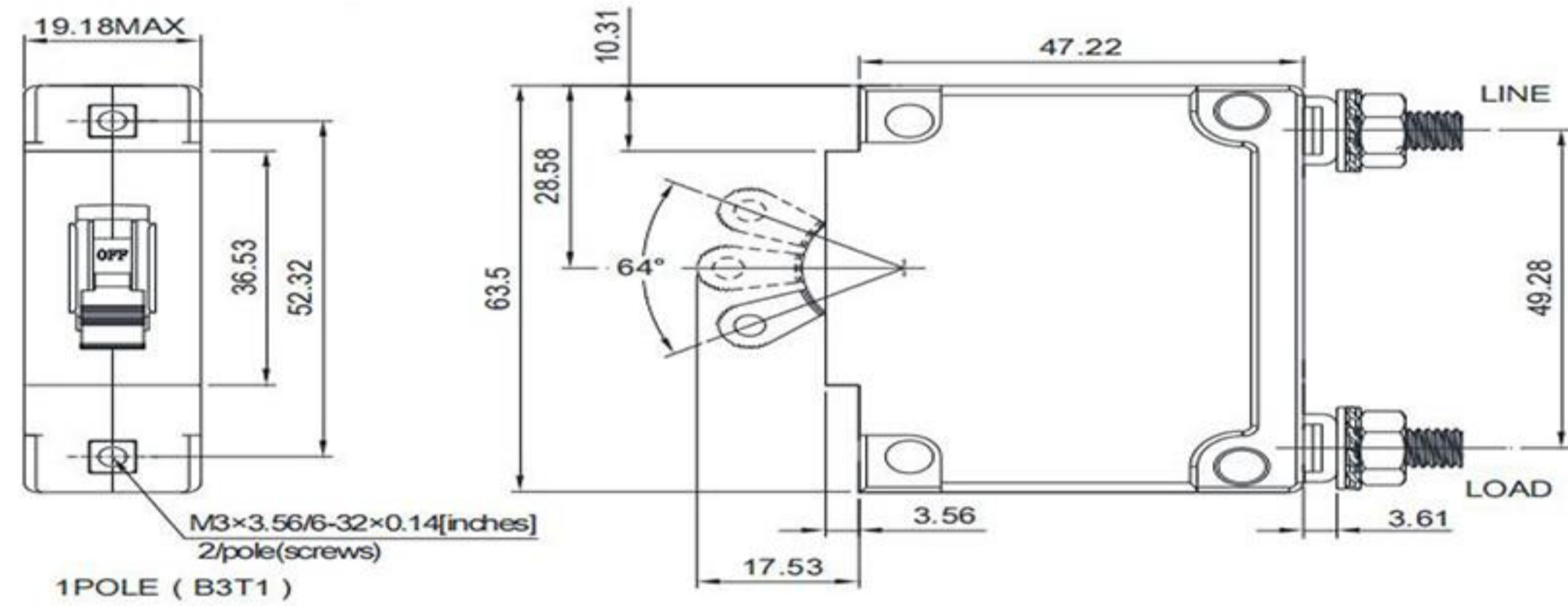
Rocker Type



Terminal Type

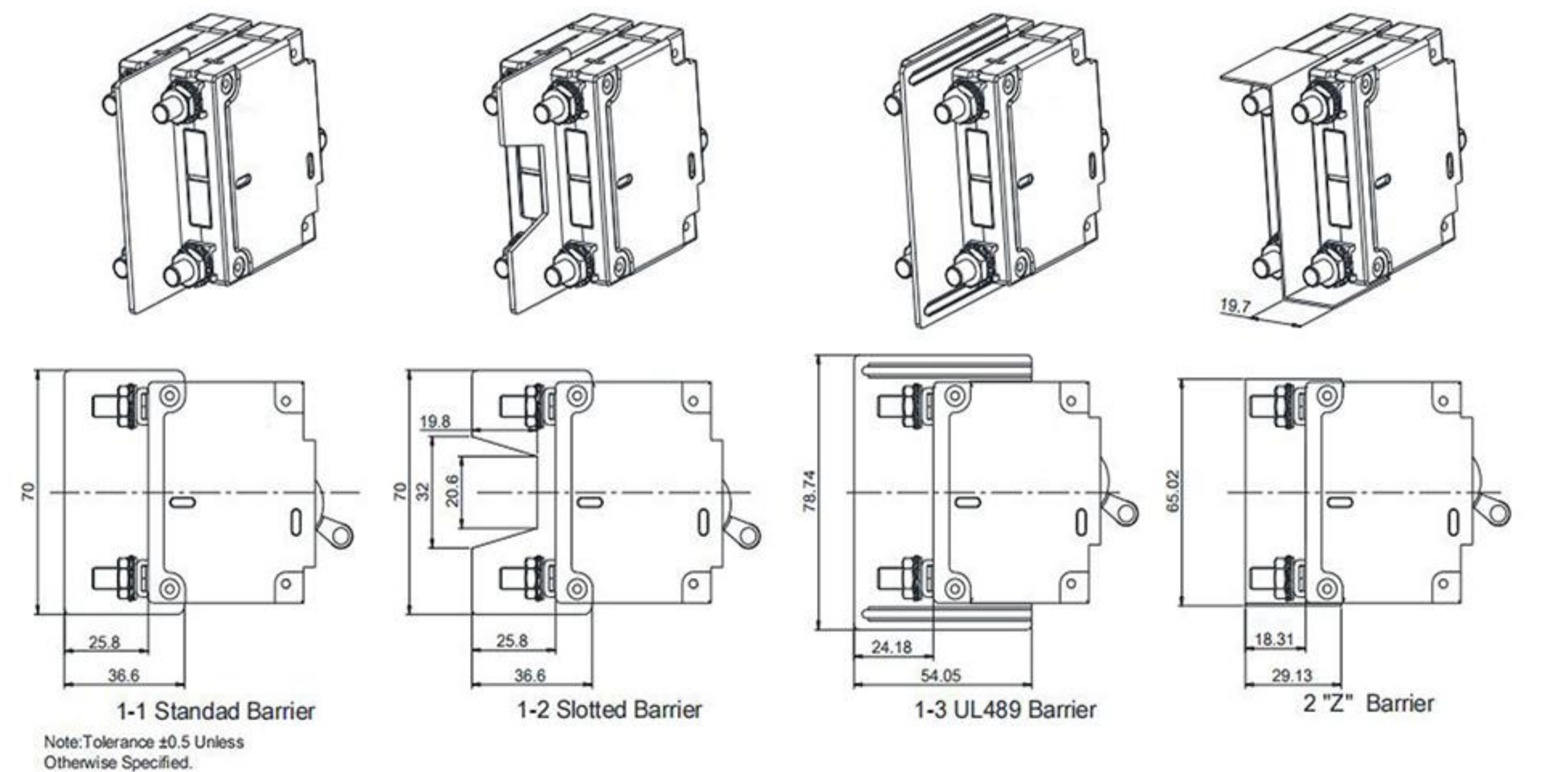


Handle Type



Delay Type	1In	1.25In	1.5In	2In	4In	6In
D0	NO Tripping	Max Trip	Max.0.10	Max.0.05	Max.0.018	Max.0.018
D1,H1	NO Tripping	0.5~6.5	0.3~3	0.1~2	0.03~0.5	0.01~0.25
D2,H2	NO Tripping	2.0~60	1.2~40	1~20	0.15~2	0.04~1
D3,H3	NO Tripping	80~700	40~400	15~200	2~20	0.23~9
A0	NO Tripping	Max Trip	Max.0.10	Max.0.05	Max.0.022	Max.0.02
A1,G1	NO Tripping	0.7~12	0.35~7	0.13~3	0.03~1	0.015~0.3
A2,G2	NO Tripping	10~120	6~60	2~20	0.2~3	0.02~2
A3,G3	NO Tripping	50~700	30~400	10~200	1.5~20	0.4~10
D0,A0	NO Tripping	Max Trip	Max.0.10	Max.0.05	Max.0.018	Max.0.18
D1,A1	NO Tripping	0.4~6.0	0.3~3	0.1~2	0.03~5	0.01~0.25
D2,A2	NO Tripping	1.8~60	1.2~40	1~20	0.15~2	0.04~1
D3,A3	NO Tripping	70~600	40~400	15~150	2~20	0.23~9

Barrier between poles



Note: Tolerance ±0.5 Unless Otherwise Specified.

Specification and code implication(for selection)

B3 T5- /240- 2 3 1 1 B-A1-C1-G-K
 1 2 3 4 5 6 7 8 9 10 11 12 13

No	Specification	Code
1	Type	B3 Series
2	Operating device (please see the style description of rocker switch)	R1:Single Color, Flat,Vertical;
		R2: Single Color, Angle,Vertical;
		R3:Two Color, Indicate ON, Angle,Vertical;
		E1: Two Color, Indicate ON, Angle,Horizontal;
		R4: Two Color, Indicate OFF, Angle,Vertical;
		E2: Two Color, Indicate OFF, Angle,Horizontal;
		R5: Two Color, Indicate ON, Flat,Vertical;
		E3: Two Color, Indicate ON, Flat, Horizontal;
		R6: Two Color, Indicate OFF, Flat,Vertical;
		E4: Two Color, Indicate OFF, Flat, Horizontal;
		R7: Single Color, Flat, Horizontal;
		R8: Single Color, Angle, Horizontal; T1:Handle, One per pole;
		T2: Wide,Short handle, One per pole ; T3: Short handle;
T4:Handle with Snap-In; T5: Handle, One per pole, one per multipole.		
3	Rated Current	1A~100A;101A-250A(2 poles or 3 poles);
4	Rated Voltage	415:415VAC; 250:AC 250V; 127:127VAC; 80:DC 80V; 65:DC 65V; 240:240VAC; 240S:120/240VAC; 125S:125/250VDC; 125Z: 125VDC;
5	Number of poles	1:1 pole; 2: 2poles; 3: 3poles;
6	Terminal type (Refer to Remark 1)	1:Stud 10-32, threaded; 2: Screw 10-32; 3: Screw M5; 4: Stud M5, threaded ; 5: Stud 1/4-20, threaded; 6: Stud M6, threaded; Q:Push-in stud;
7	Barriers(Refer to Remark 4)	0:Without; 1:Yes; 2: "Z" Shape.
8	Auxiliary switch (Refer to Remark 4)	0: No; 1:0.110 terminal; 2:0.093terminal
9	Circuit type(Refer to Remark 2)	A:Switch Only(no coil); B:Series Trip(Current); C:Series Trip(Voltage); D:Shunt Trip Voltage Coil
10	Delay Type	A0: 50/60Hz Instantaneous; A1: 50/60Hz Short; A2: 50/60Hz Medium; A3: 50/60Hz Long; D0: DC Instantaneous; D1: DC Short; D2:DC Medium D3:DC Long; H1: DC Short, Hi-Inrush; H2: DC Medium, Hi-Inrush; H3: DC Long ,Hi-Inrush; G1:50/60Hz Short, Hi-Inrush; G2: 50/60Hz Medium, Hi-Inrush; G3:50/60Hz Long ,Hi-Inrush
11	Handle and rocker color combination (Refer to Remark 3)	Color I-O ON-OFF Dual Legend Color
		Black A1 B1 C1 White
		White A2 B2 C2 Black
		Red A3 B3 C3 White
		Green A4 B4 C4 White
		Blue A5 B5 C5 White
		Yellow A6 B6 C6 Black
		Gray A7 B7 C7 Black
		Orange A8 B8 C8 Black
Black(short) A9 B9 C9 White		

		Actuator or Visual Color	I-O	ON-OFF	Dual	Single-color Rocker Word Color
11	Rocker	White	D1	E1	F1	Black
		Black	D2	E2	F2	White
		Red	D3	E3	F3	White
		Green	D4	E4	F4	White
		Blue	D5	E5	F5	White
		Yellow	D6	E6	F6	Black
		Gray	D7	E7	F7	Black
		Orange	D8	E8	F8	Black
		Color shown is Vist and Legend with remainder of rocker black				
12	Installation manner	E: 6-32 inches; G: ISO M3; H: 6-32,with rocker guard;				
		K: M3, with rocker guard; M: Front panel snap-in bracket with rocker guard; Code H, K only use in Rocker				
13	Authentication code(Refer to Remark 5)	E: UL/CSA, TUV, CCC.				
		H: UL489A, CE.				
		K: UL489, TUV, CCC.				

Remarks:

1. The screw connection terminal blocks 2, 3, 4, 5 and Q are recommended for the circuit breakers with rated current higher than 30A, and the solder shall be used;
2. Circuit A: pure switch, the rated current is 30A or 100A; if it is circuit B, the code can be omitted, being unnecessary to be marked.
3. The label of VDE and TUV shall be marked with I-O, and the UL mark shall be have ON-OFF;
4. If the code 0 is used, the positions 7 and 8 can be omitted, being unnecessary to be marked;
5. Users can negotiate with the manufacturer on the requirements for other types.