

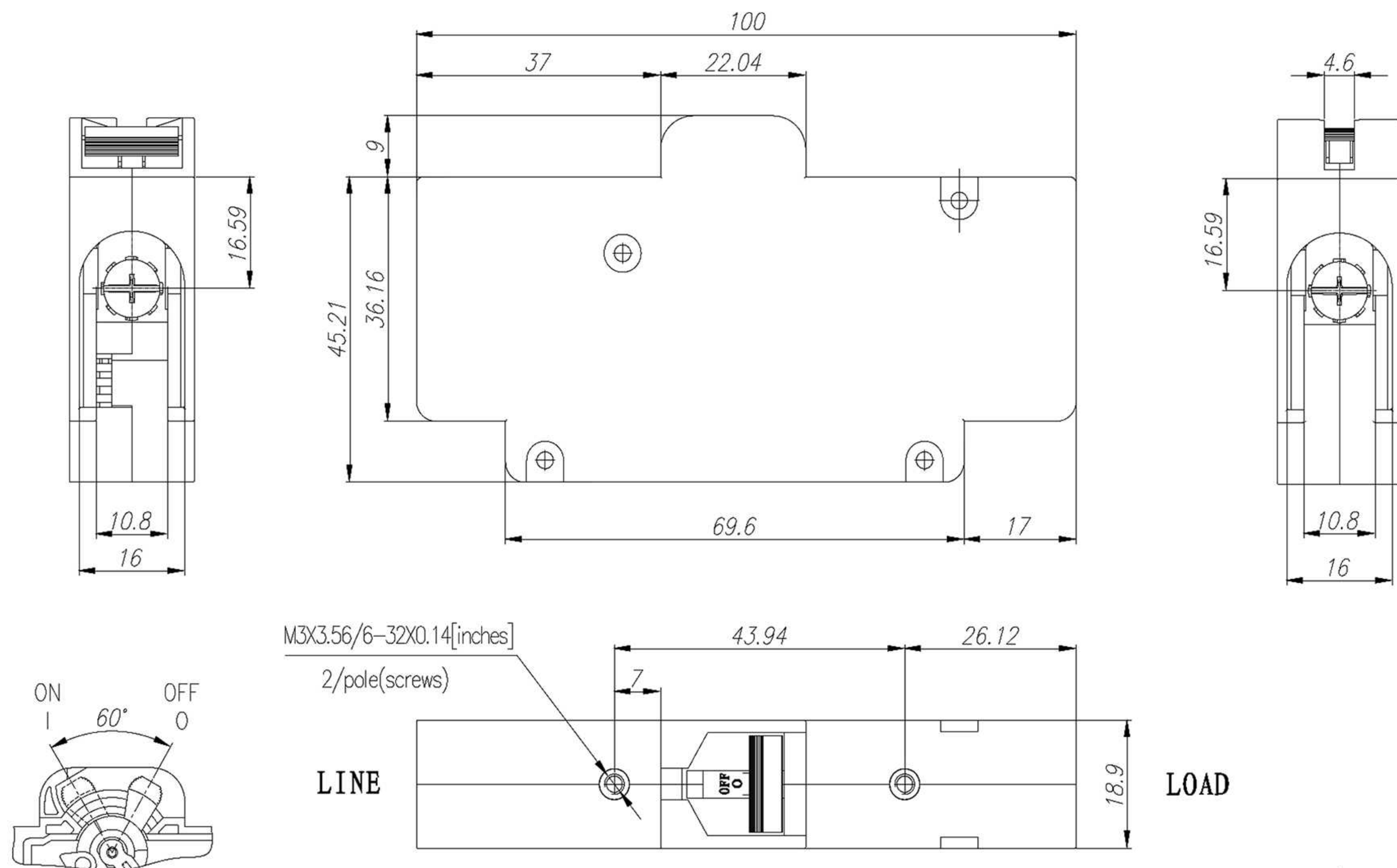
# B3C/D



## Characteristic

- Maximum voltage: 400VAC 50/60 Hz
- Current Ratings: 1A to 30A
- Operating Temperature: -40°C to +85°C
- Number of poles: 1 pole, 2 poles
- Agency Certifications: UL489, IEC/EN60934, GB17701
- Application: variety of equipment and lines to provide accurate and reliable short circuit and overload protection.

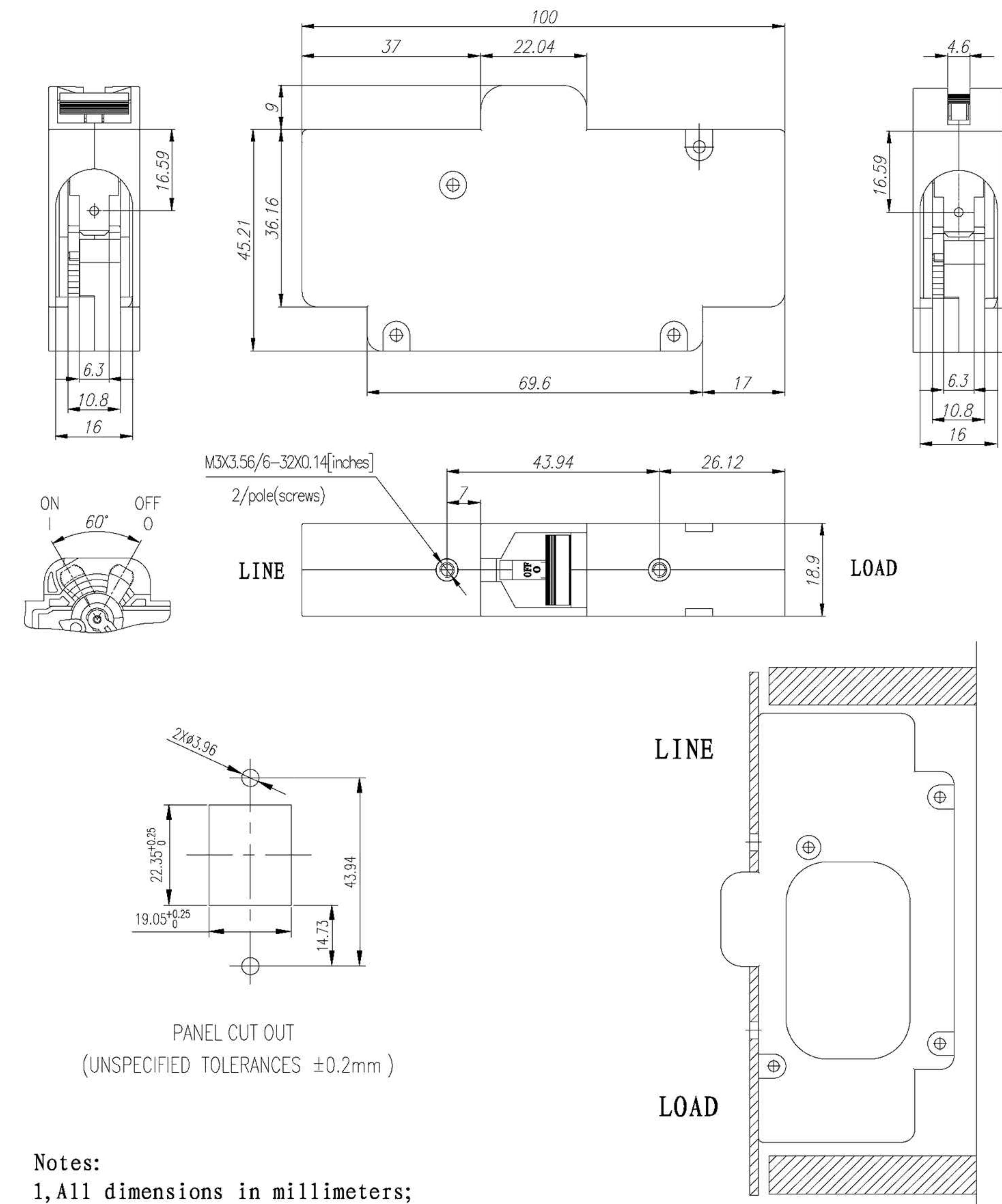
## Single Pole Breaker(Screw)



PANEL CUT OUT  
(UNSPECIFIED TOLERANCES ±0.2mm)

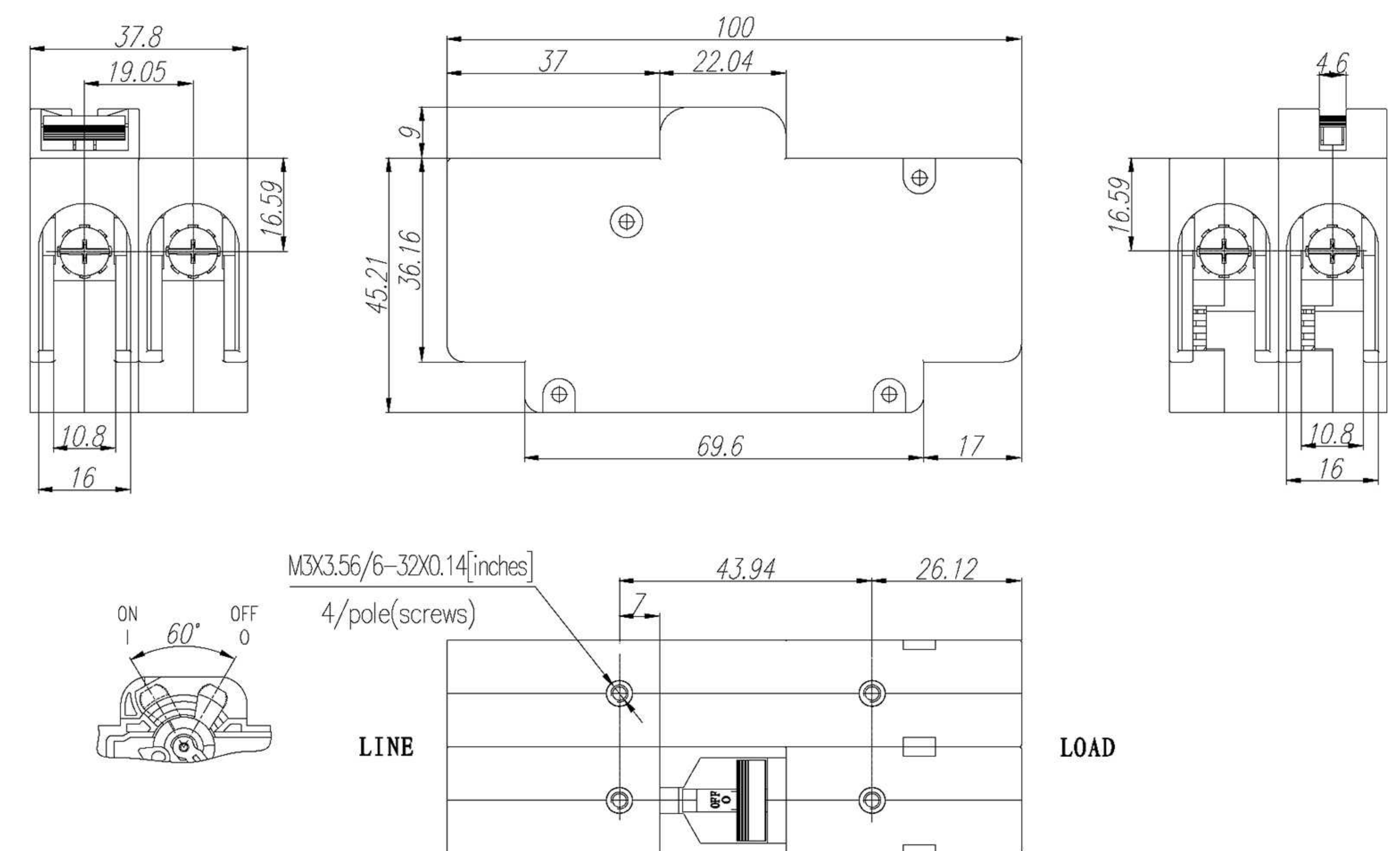
- Notes:
- 1, All dimensions in millimeters;
  - 2, Tolerance +/-0.5 unless otherwise specified.

## Single Pole Breaker(.250 fast push-in type)

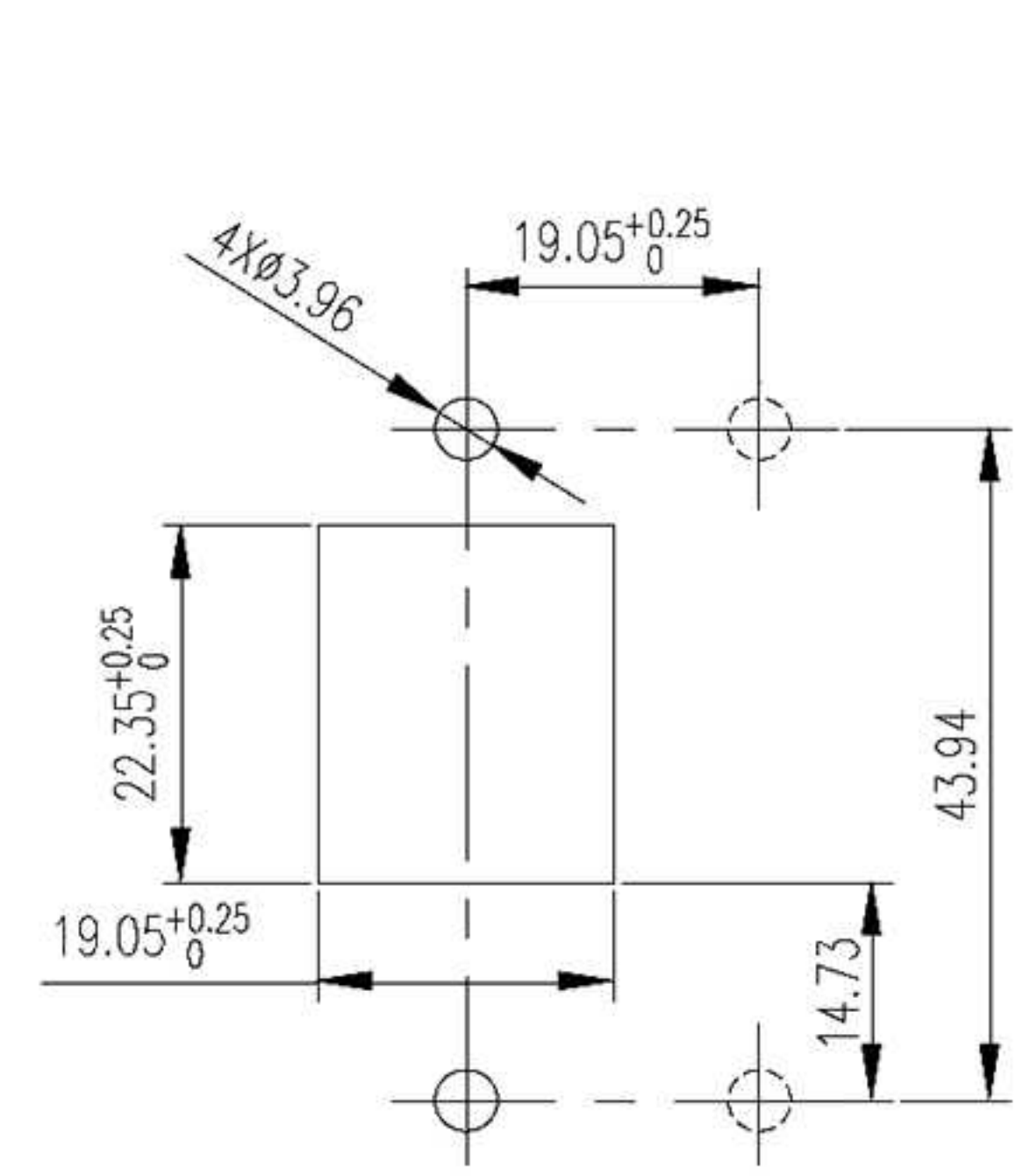


- Notes:
- 1, All dimensions in millimeters;
  - 2, Tolerance +/-0.5 unless otherwise specified.

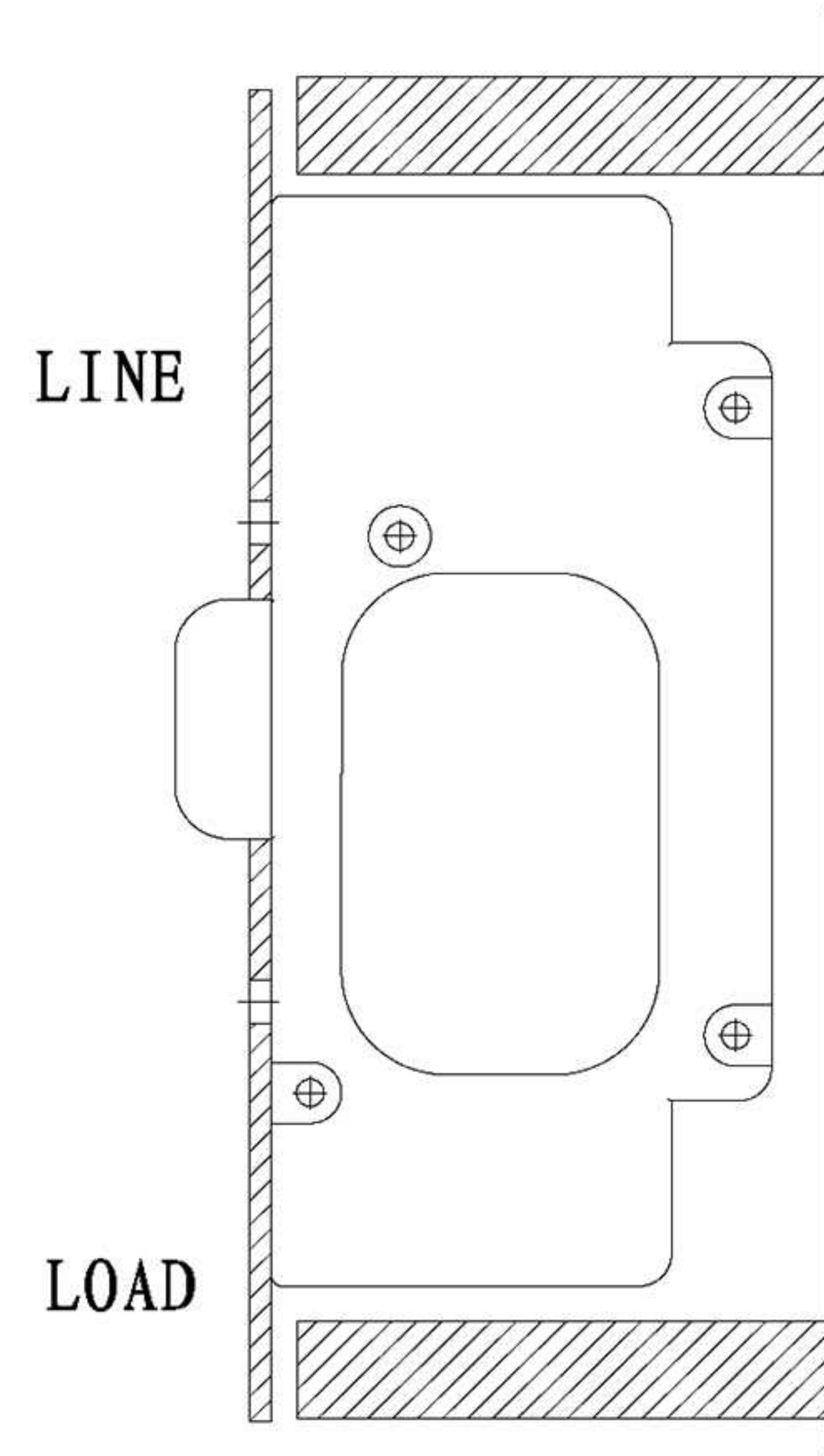
## Double-Pole Breaker(Screw)



Double-Pole Breaker(Screw)

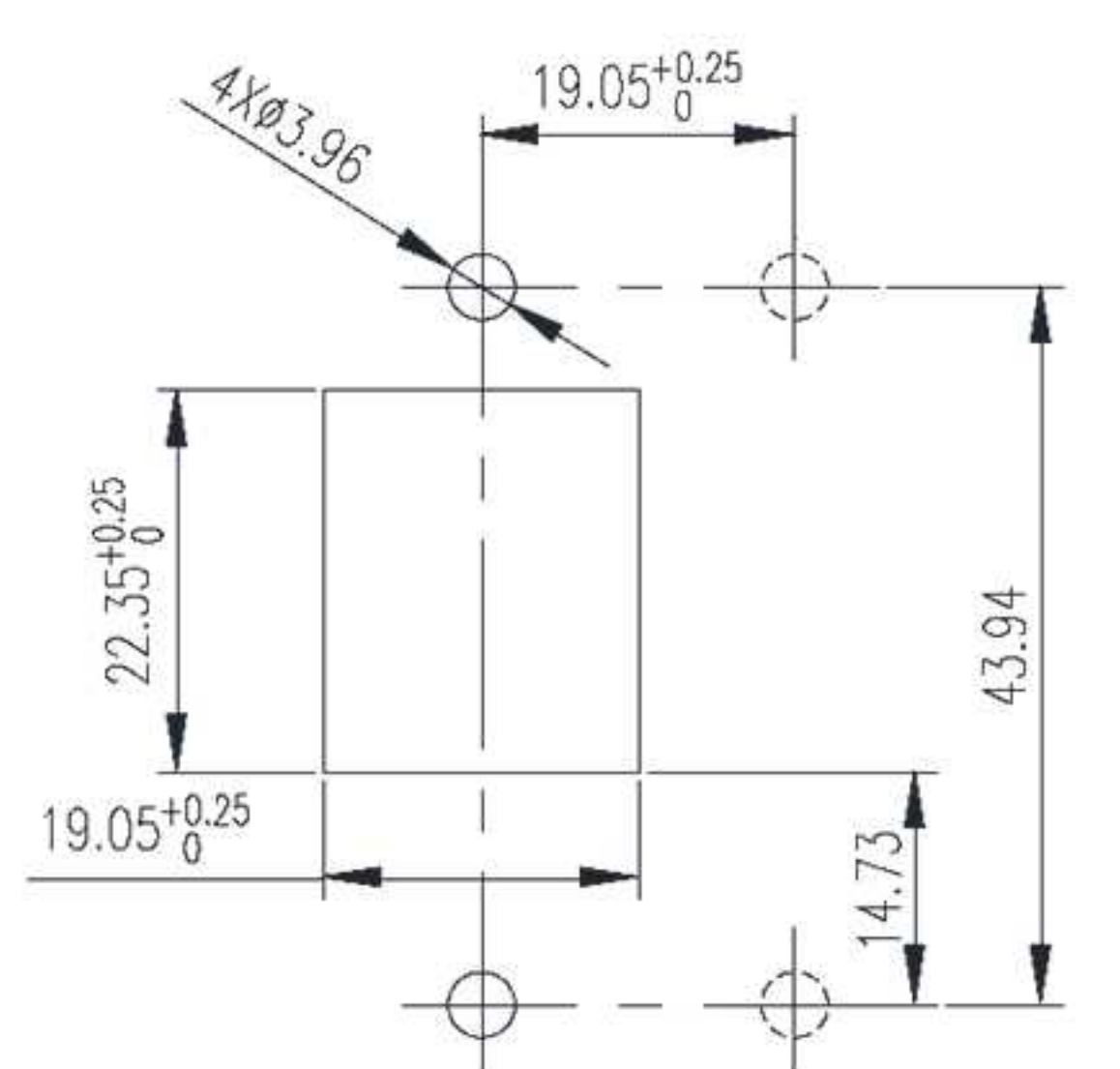
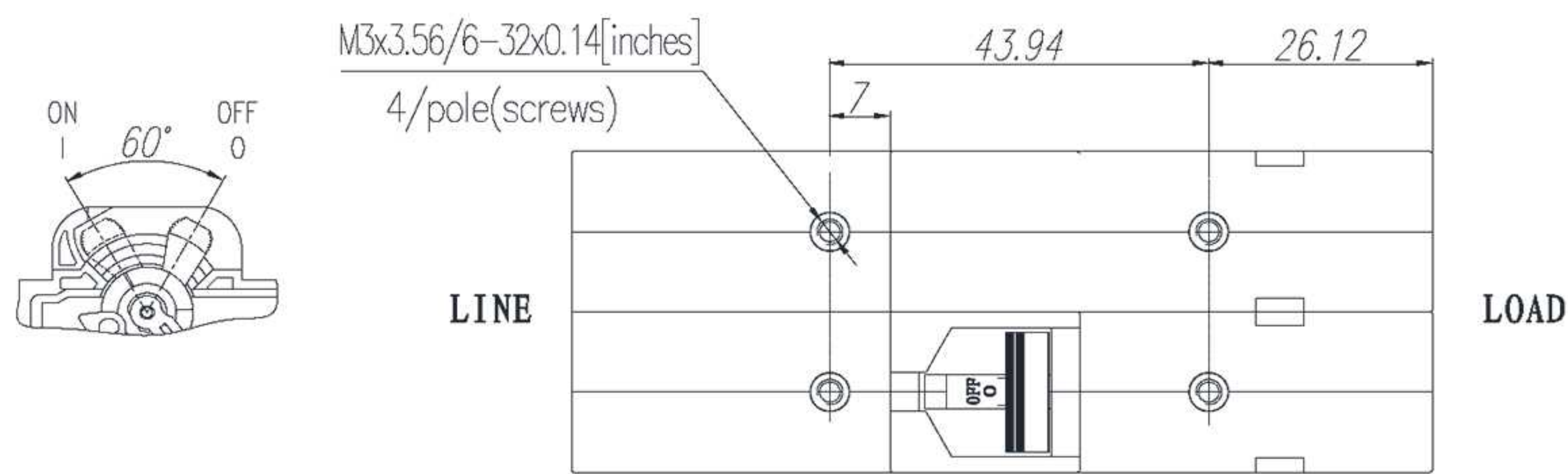
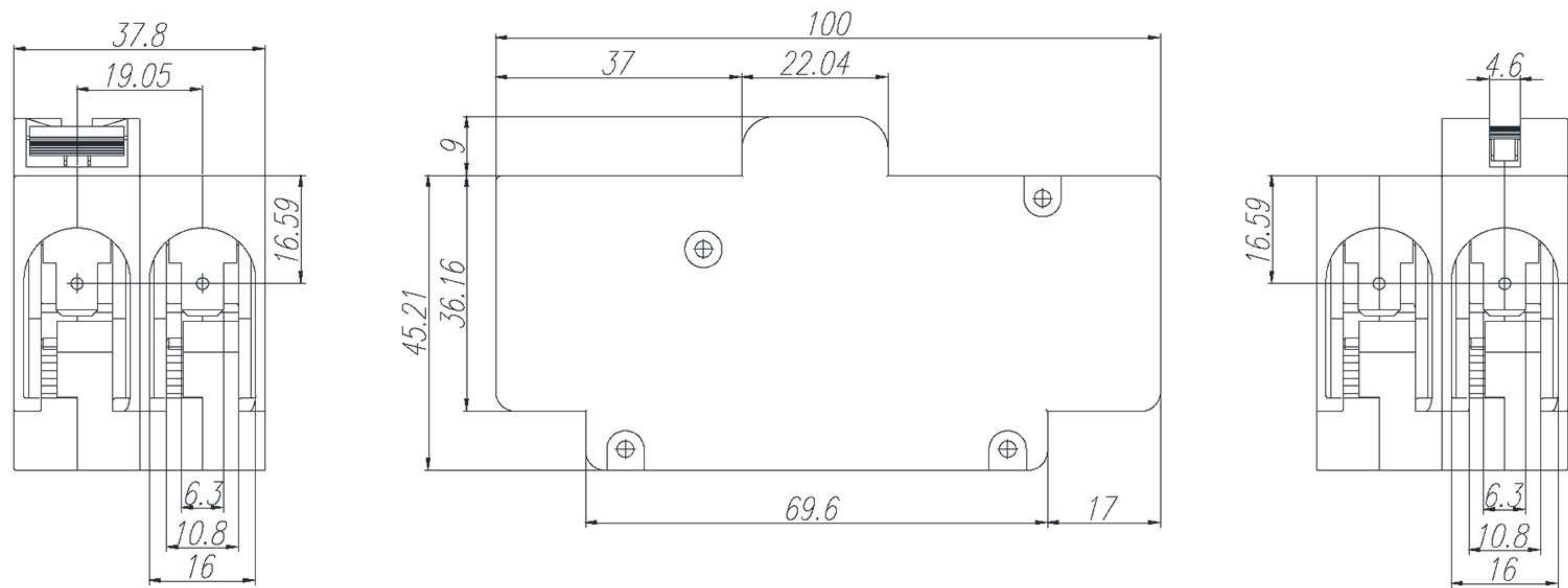


PANEL CUT OUT  
(UNSPECIFIED TOLERANCES ±0.2mm)

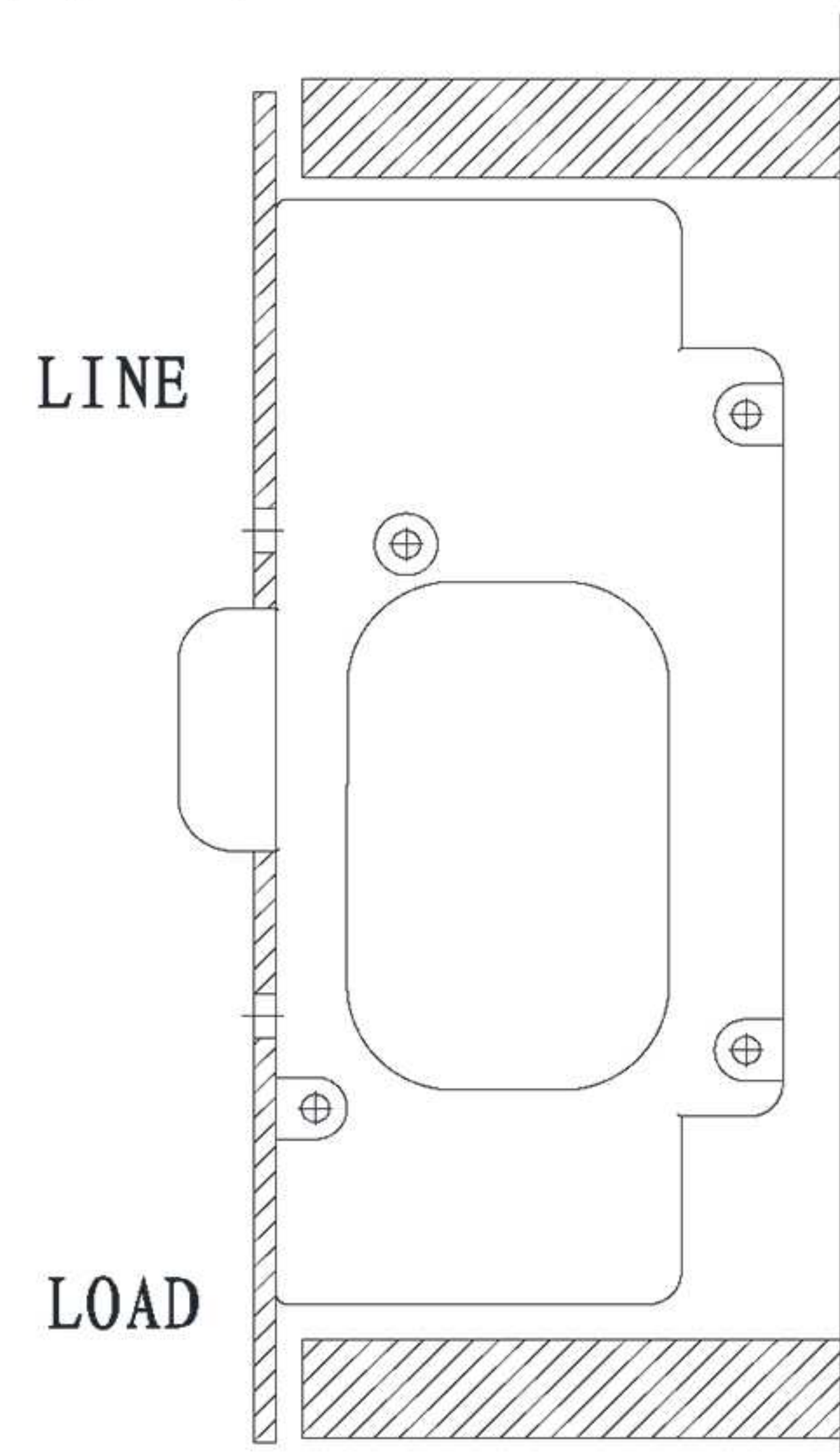


- Notes:  
1. All dimensions in millimeters;  
2. Tolerance+/-0.5 unless otherwise specified.

Double-Pole Breaker(.250 fast push-in type)



PANEL CUT OUT  
(UNSPECIFIED TOLERANCES ±0.2mm)



- Notes:  
1. All dimensions in millimeters;  
2. Tolerance+/-0.5 unless otherwise specified.

Specification and code implication(for selection)

B3C 1- 20.0/240S -2 3 0 0 B - A1 - C1 - E - K  
1 2 3 4 5 6 7 8 9 10 11 12 13

No	NAME	Code
1	SERIES	B3C Series;
2	Toggle	1:Handle, One pole unit;
3	Rated Current	1A~30A
4	Rated Voltage	240:AC 240V; 240S:AC 120/240V;
5	Pole Number	1: 1poles; 2: 2poles;
6	Terminal Type	1:.250 fast push-in type; 3: 10-32 UNF Screw; 5: M5 Screw;
7	Barrier Plate	0:No barrier plate provided;
8	Current Sense Coils	0:Not provided;
9	Circuit type	A: pure switch (no coil); B: Regular cascaded current circuit;
10	Delay	A0: AC Instantaneous Delay; A1: AC Short Delay;
		A2: AC Medium Delay; A3: AC Long Delay;
		G1: AC short delay, high surge; G2: AC medium delay, high surge; G3: AC long delay, high surge.
11	Handle color combination	Color I-O ON-OFF Dual Legend Color
		Black A1 B1 C1 White
		White A2 B2 C2 Black
		Red A3 B3 C3 White
12	Installation manner	E:6-32 inch; G: M3 metric;
13	Authenticationcode	K: UL489