

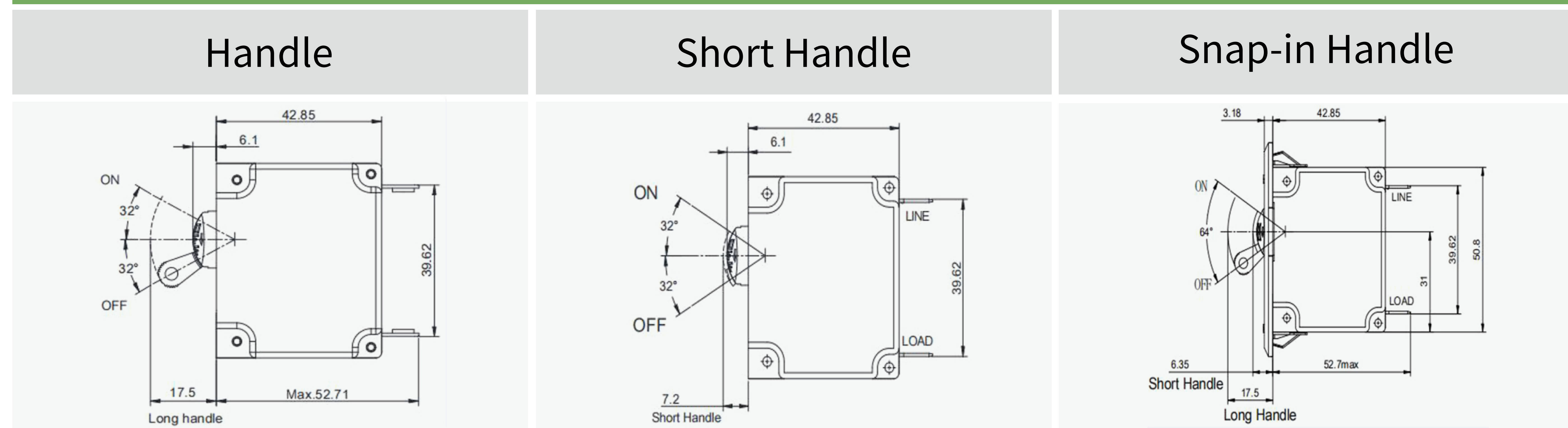
# B2T1



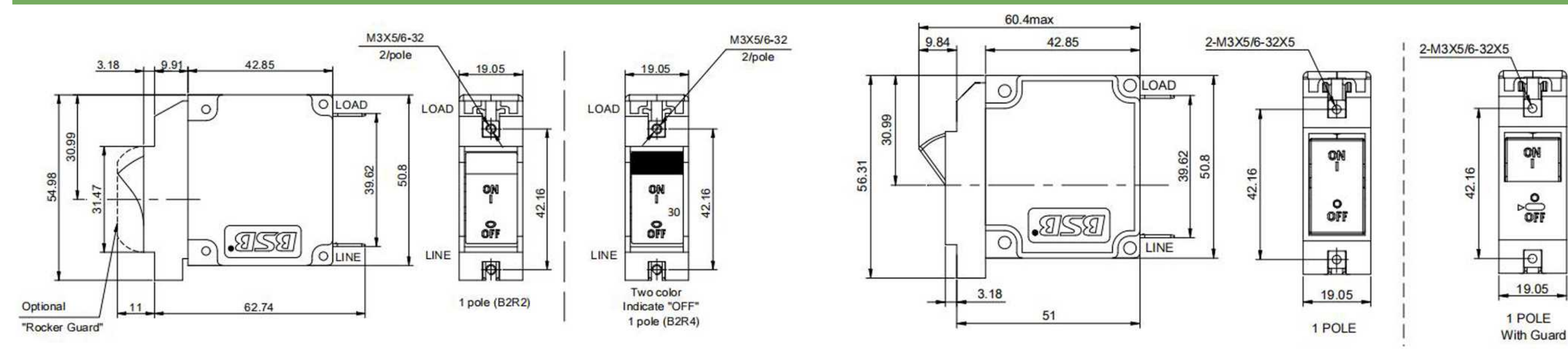
## Characteristic

- Maximum voltage: 277VAC 50/60 Hz, 80VDC
- Current Ratings: 1A to 63A
- Auxiliary switch: SPDT, 5A 250VAC, 1.0A 80VDC
- Poles: 1pole, 2poles, 3poles, 4poles
- Operating environment: -40°C to +85°C
- Approved certificate: CCC, VDE, TUV, UL1077, UL489

## Handle type

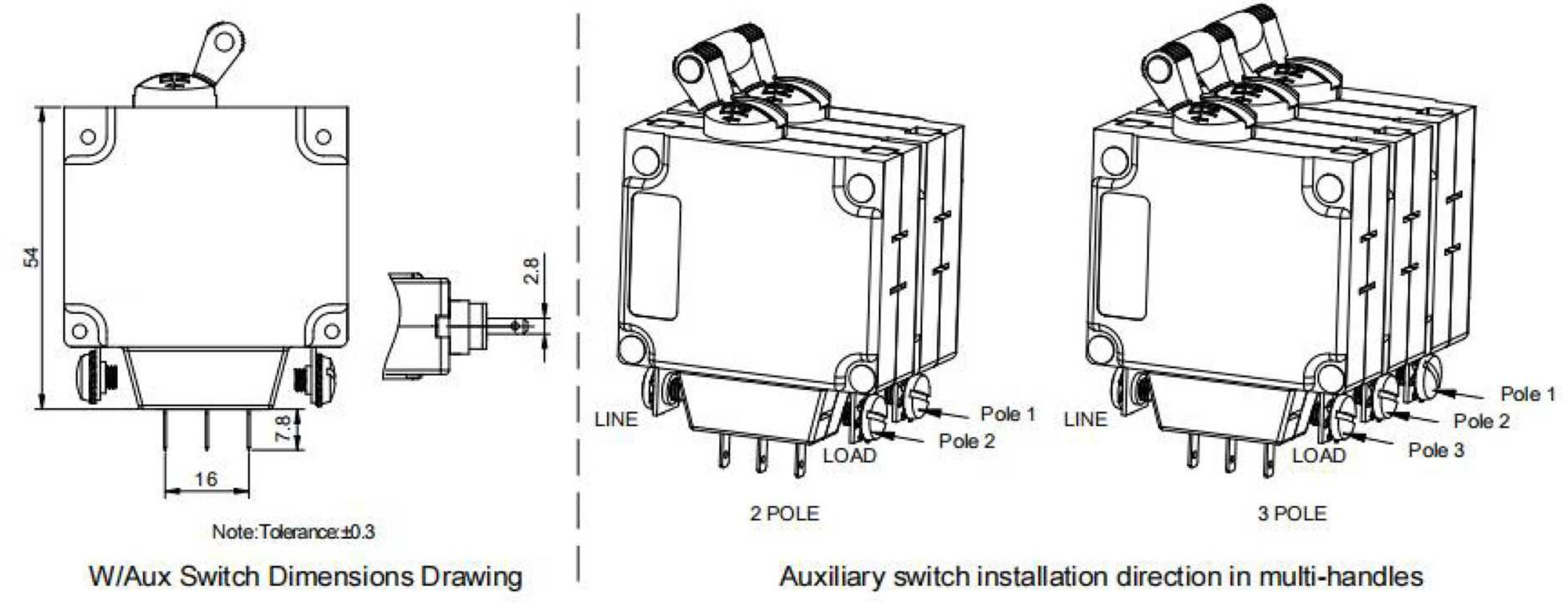


## Rocker type

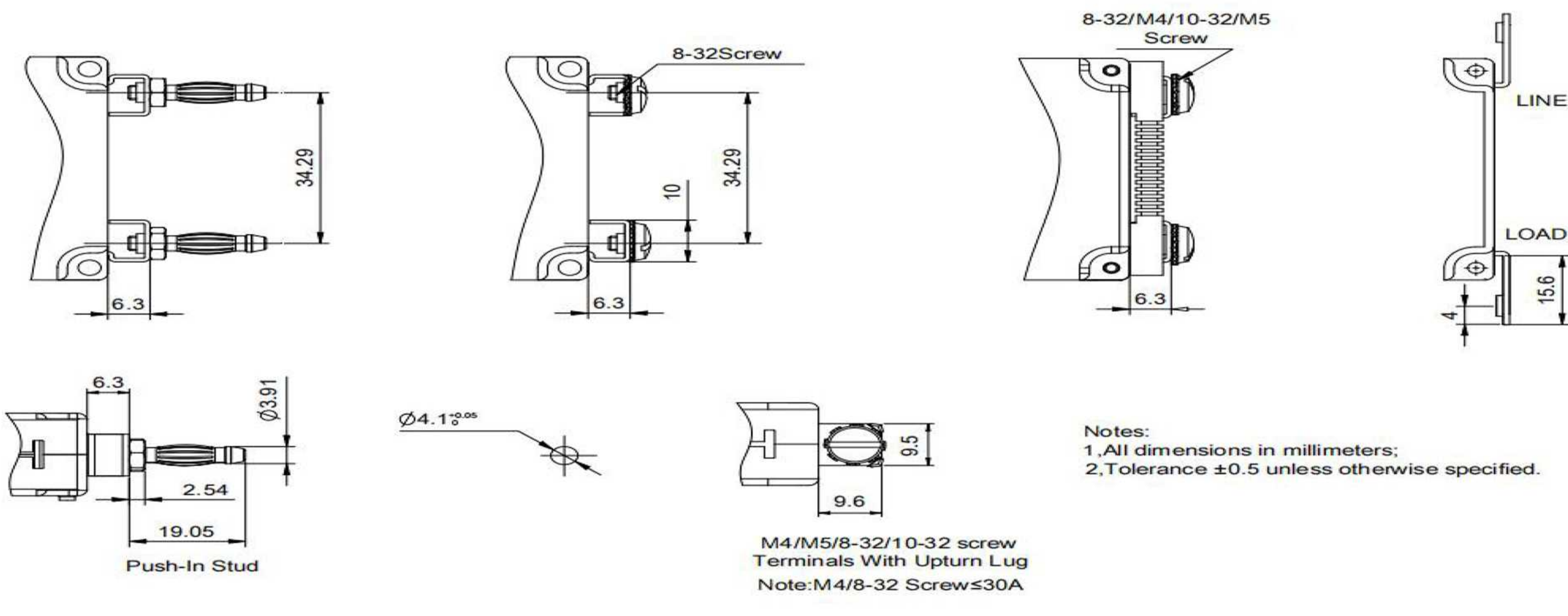
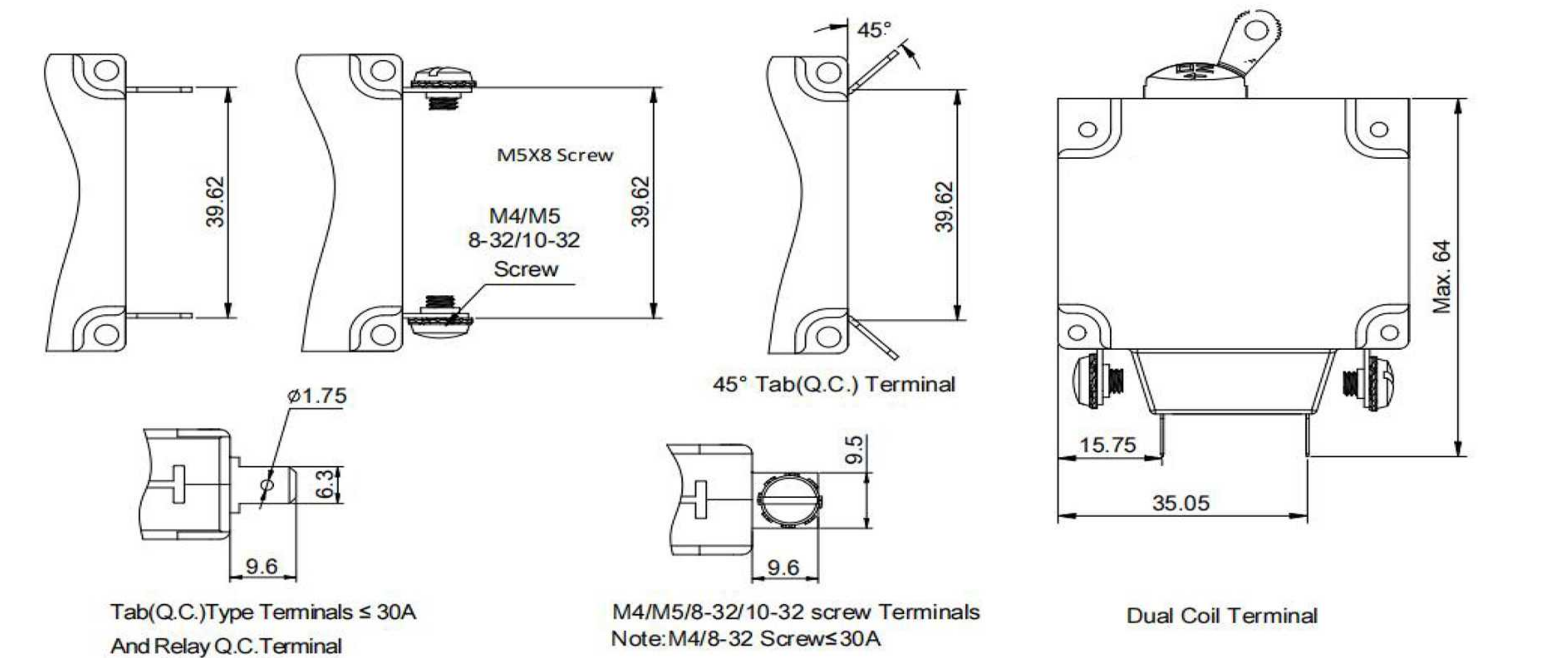


Delay Type	1In	1.25In	1.5In	2In	4In	6In
D0	NO Tripping	Max Trip	Max.0.10	Max.0.05	Max.0.018	Max.0.018
D1,H1	NO Tripping	0.5~6.5	0.3~3	0.1~2	0.03~0.5	0.01~0.25
D2,H2	NO Tripping	2.0~60	1.2~40	1~20	0.15~2	0.04~1
D3,H3	NO Tripping	80~700	40~400	15~200	2~20	0.23~9
A0	NO Tripping	Max Trip	Max.0.10	Max.0.05	Max.0.022	Max.0.02
A1,G1	NO Tripping	0.7~12	0.35~7	0.13~3	0.03~1	0.01~0.3
A2,G2	NO Tripping	10~120	6~60	2~20	0.2~3	0.02~2
A3,G31	NO Tripping	50~700	30~400	10~200	1.5~20	0.4~10

## Auxiliary switch



## Terminal Type



Notes:  
1. All dimensions in millimeters;  
2. Tolerance ±0.5 unless otherwise specified.



Specification and code implication(for selection)

**B2** **T5** **20.0/240** **2** **5** **2** **0** **B** **A2** **C1** **G** **K**  
 1 2 3 4 5 6 7 8 9 10 11 12 13

No	Specification	Code
1	Type	B2:Series
2	Operating device (please see the style description of rocker switch)	R1:Single Color, Flat,Vertical; R2: Single Color, Angle,Vertical;
		R3:Two Color, Indicate ON, Angle,Vertical;
		E1: Two Color, Indicate ON, Angle,Horizontal;
		R4: Two Color, Indicate OFF, Angle,Vertical;
		E2: Two Color, Indicate OFF, Angle,Horizontal;
		R5: Two Color, Indicate ON, Flat,Vertical;
		E3: Two Color, Indicate ON, Flat, Horizontal;
		R6: Two Color, Indicate OFF, Flat,Vertical;
		E4: Two Color,Indicate OFF,Flat, Horizontal;
		R8: Single Color, Angle, Horizontal; T1:Handle, One per pole;
T2: Wide,Short handle, One per pole ; T3: Short handle;		
T4:Handle with Snap-In; T5: Handle, one per multipole unit.		
3	Rated Current	1A~63A 20A
4	Rated Voltage	250:AC 250V; 65:DC 65V; 80:DC 80V ; 127:AC127V; 240:AC120/240V; 415:AC 415V;
5	Number of poles	1:1 pole; 2: 2poles; 3: 3poles; 4: 4poles;
6	Terminal type (Refer to Remark 1)	1:.250 fast push-in type; 2:10-32 screw lugs (with flange);
		3:10-32 screw lugs (bus type); 4: M5 screw lugs (with flange);
		5: M5 screw lugs (bus type); 6: M4 screw lug (with flange);
		7:M4 screw lug (bus type); 8:8-32 screw lug (with flange);
		9:8-32 screw lug (bus type); Q: bullet
7	Barriers(Refer toRemark 4)	0:Without; 1:Yes; 2: “Z” Shape.
8	Auxiliary switch (Refer toRemark 4)	0: no auxiliary switch; 1:0.110 quick plug terminals; 2:0.093 quick plug terminals.
9	Circuit type (Refer to Remark 2)	A: pure switch (no coil); B: Regular cascaded current circuit;
		C: Cascaded voltage circuit;
		D: dual-coil structure being able to release the trip.
10	Delay Type	A0: AC Instantaneous Delay; A1: AC Short Delay; A2: AC Medium Delay;
		A3: AC Long Delay; D0: DC Instantaneous Delay;
		D1: DC Short Delay; D2: DC Medium Delay; D3: DC Long Delay;
		H1: DC short delay, high surge; H2: DC medium delay, high surge;
		H3: DC long delay, high surge; G1: AC short delay, high surge;
G2: AC medium delay, high surge; G3: AC long delay, high surge		
11	Handle and rocker color combination (Refer to Remark 3)	Color I-O ON-OFF Dual Legend Color
		Black A1 B1 C1 White
		White A2 B2 C2 Black
		Red A3 B3 C3 White
		Green A4 B4 C4 White
		Blue A5 B5 C5 White
		Yellow A6 B6 C6 Black
		Gray A7 B7 C7 Black
		Orange A8 B8 C8 Black
		Black(short) A9 B9 C9 White

		Actuator or Visual Color	I-O	ON-OFF	Dual	Single-color Rocker Word Color
11	Rocker	White	D1	E1	F1	Black
		Black	D2	E2	F2	White
		Red	D3	E3	F3	White
		Green	D4	E4	F4	White
		Blue	D5	E5	F5	White
		Yellow	D6	E6	F6	Black
		Gray	D7	E7	F7	Black
		Orange	D8	E8	F8	Black
		Color shown is Vist and Legend with remainder of rocker black				
12	Installation manner	E:6-32 inch; G: M3 metric; H: 6-32 inch, with protection cover;				
		K: M3 metric, with protection cover;				
		M: the front panel uses the installation manner of quick snap, with protection cover (0.75 inches wide);				
		N: the front panel uses the installation manner of quick snap, without protection cover (0.75 inches wide);				
		O: the front panel uses the installation manner of quick snap, with protection cover (0.96 inches wide);				
		P: the front panel uses the installation manner of quick snap, without protection cover (0.96 inches wide);				
		The codes H and K are only applicable to rocker switch				
13	Authentication code(Refer to Remark 5)	C: UL/CSA, VDE, CCC; K: UL489; E: UL/CSA, TUV, CCC.				

Remarks:

1. The screw connection terminal blocks 2, 3, 4, 5 and Q are recommended for the circuit breakers with rated current higher than 30A, and the solder shall be used;
2. Circuit A: pure switch, the rated current is 30A or 50A; if it is circuit B, the code can be omitted, being unnecessary to be marked. 3. The label of VDE and TUV shall be marked with I-O, and the UL mark shall be have ON-OFF;
4. If the code 0 is used, the positions 7 and 8 can be omitted, being unnecessary to be marked;
5. Users can negotiate with the manufacturer on the requirements for other types.