

MC4 T Branch



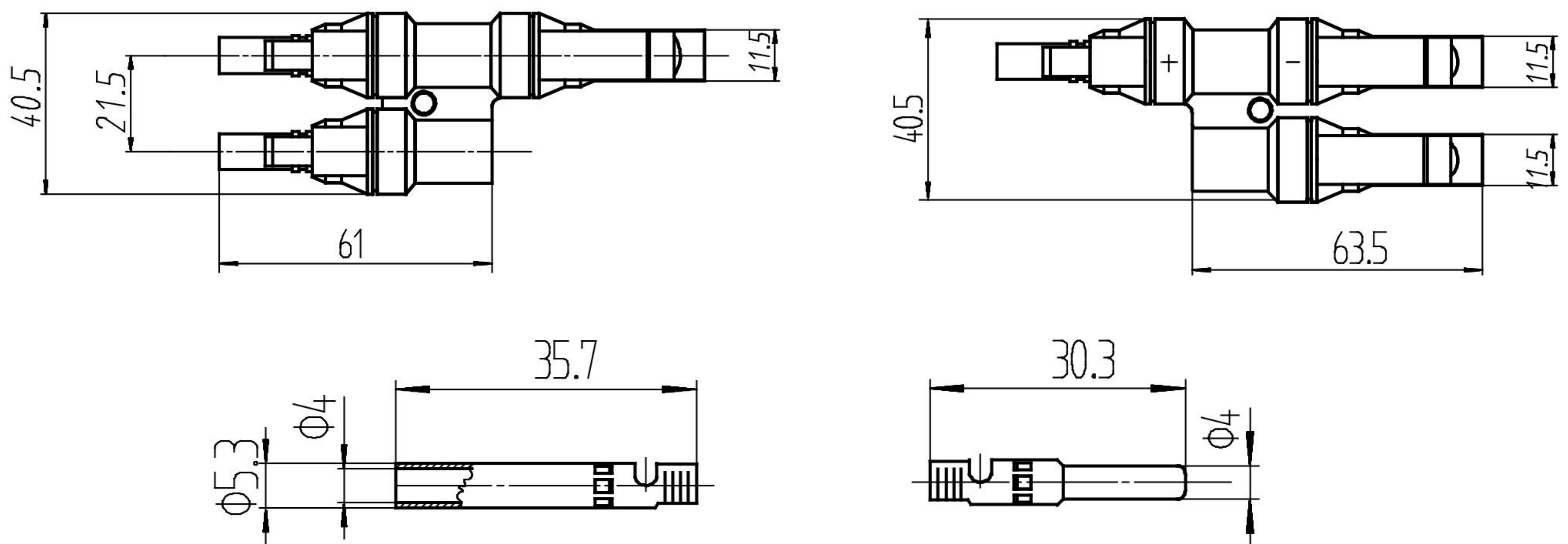
Application

elehub offers MC4 T-branch cable connectors for solar panels and photovoltaic systems (2 male + female, 2 female + male connectors). These connectors are typically used for linking two solar panels together but can also be used for more complex solar systems where T-junction connectors are required.

Product Parameters

Rated current	50A	Rated Voltage	1500VDC(IEC)1000VDC(UL)
Ambient temperature range	-40°C~+90°C (IEC)	Contact resistance of plug connectors	0.5mΩ
Degree of protection	IP68mated IP2X unmated	Contact material	Copper,tin plated
Locking system plug connectors	Snap-in(nur/only MC4)	Flame class	UL94-HB/UL94-V0
Cable size	2.5mm ² , 4mm ² , 6mm ²	Approval	T

Product dimensions



Other Types



1T3

1T4

1T5