

MC4 UL Type



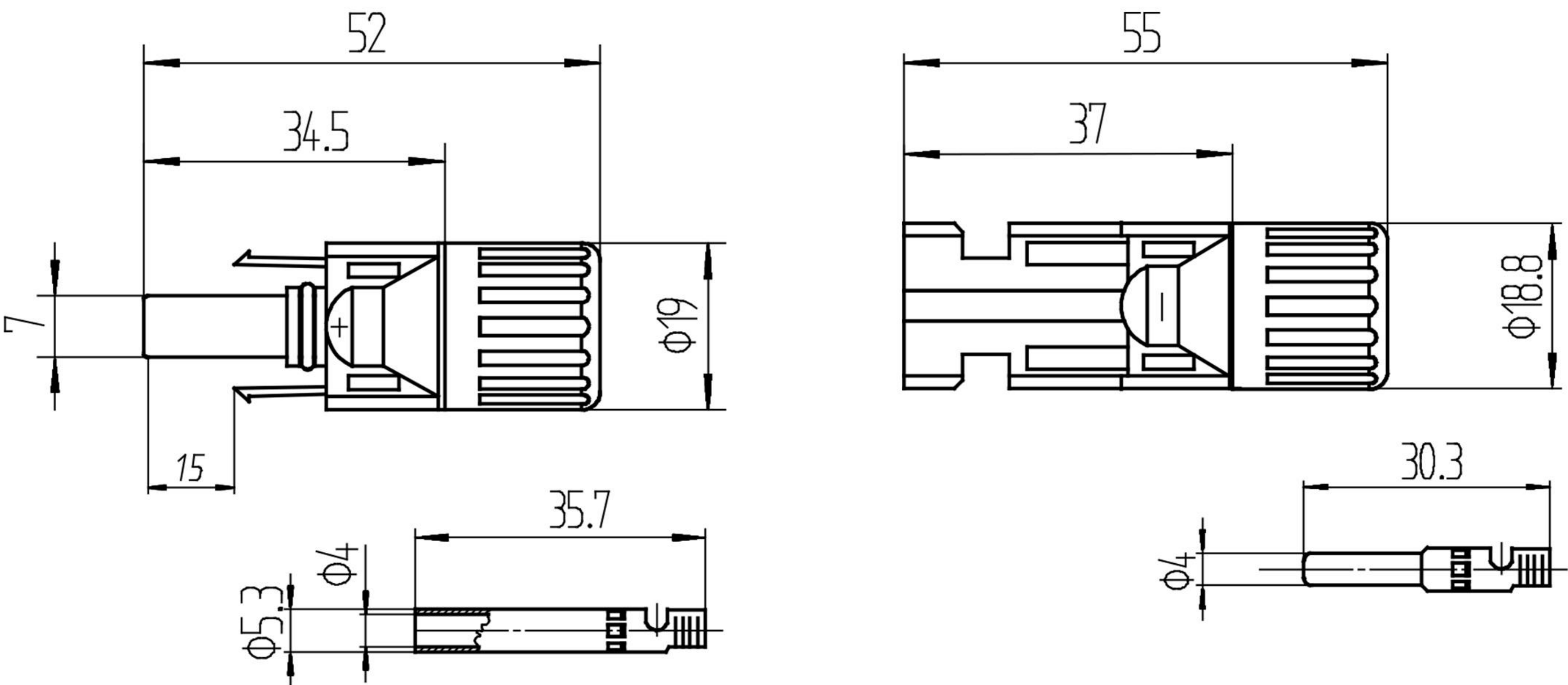
Application

elehub offers high-quality MC4 connectors that are specifically designed for solar panel applications. The MC4 male and female connectors are compatible with standard solar cables, allowing you to easily connect and disconnect your solar panels as needed.

Product Parameters

Rated current	30A	Rated Voltage	1500VDC(IEC)1000VDC(UL)
Ambient temperature range	-40°C~+90°C (IEC)	Contact resistance of plug connectors	0.5mΩ
Degree of protection	IP68mated IP2X unmated	Contact material	Copper,tin plated
Locking system plug connectors	Snap-in(nur/only MC4)	Flame class	UL94-HB/UL94-V0
Cable size	2.5mm ² , 4mm ² , 6mm ²	Approval	UL

Product dimensions



Accessories



Cable with Connector



MC4 Spanner



MC4 Crimping Tool