



EHW100A-2

EHW100A-2

Basic Technical Parameters (at normal conditions)

Electric Parameters			
Contact type	DPDT-NO	Instantaneous maxi (closing) current	7Ie, ≤1s
Rated voltage of contacts (DC)	≤80V	Insulation resistance(MΩ)	≥100
Rated current of contacts (A)	100	Dielectric withstand voltage	1500V,p.f. 1min, no breakdown
Voltage drop on contacts(mV)	≤80	Electric cycles (10 ⁴)	≥2
Coil voltage specification(DC)	12V, 24V, 48V, 72V etc	Mechanical cycles (10 ⁴)	≥30
DC power consumption of coil (W)	≤11	Temperature rise on outgoing terminal	≤65
Pickup voltage(DC)	≤75%Us	Temperature rise of coil(K)	≤85
Release voltage(DC)	≥5%Us ; ≤40%Us	Insulation grade of enameled wire	Class F (155°C)
Pickup time(ms)	≤30	Material of contact	AgCuO(10)/Cu
Release time(ms)	≤50	Working duty	Continuous operating duty
Mechanical/Ambient Conditions			
Torque of outgoing terminal on contact M8(N.m)	≥4.5N appropriate	Protection grade	IP50
Coil lead end thickness(mm)	0.8	Mounting methods	Freely
Working temperature	(-25~+55)°C	Vibration	Sine shock: 2.5g, (5~50) Hz
Mounting altitude	≤2Km	Impact	50g,11ms(Half sine)
Conversion Table for Coil Specification(20°C)			
Voltage(V)	Coil resistance(1±10%)Ω	Voltage(V)	Coil resistance(1±10%)Ω
12	17	36	152.3
24	67.7	48	270.8

Outline and Mounting Picture

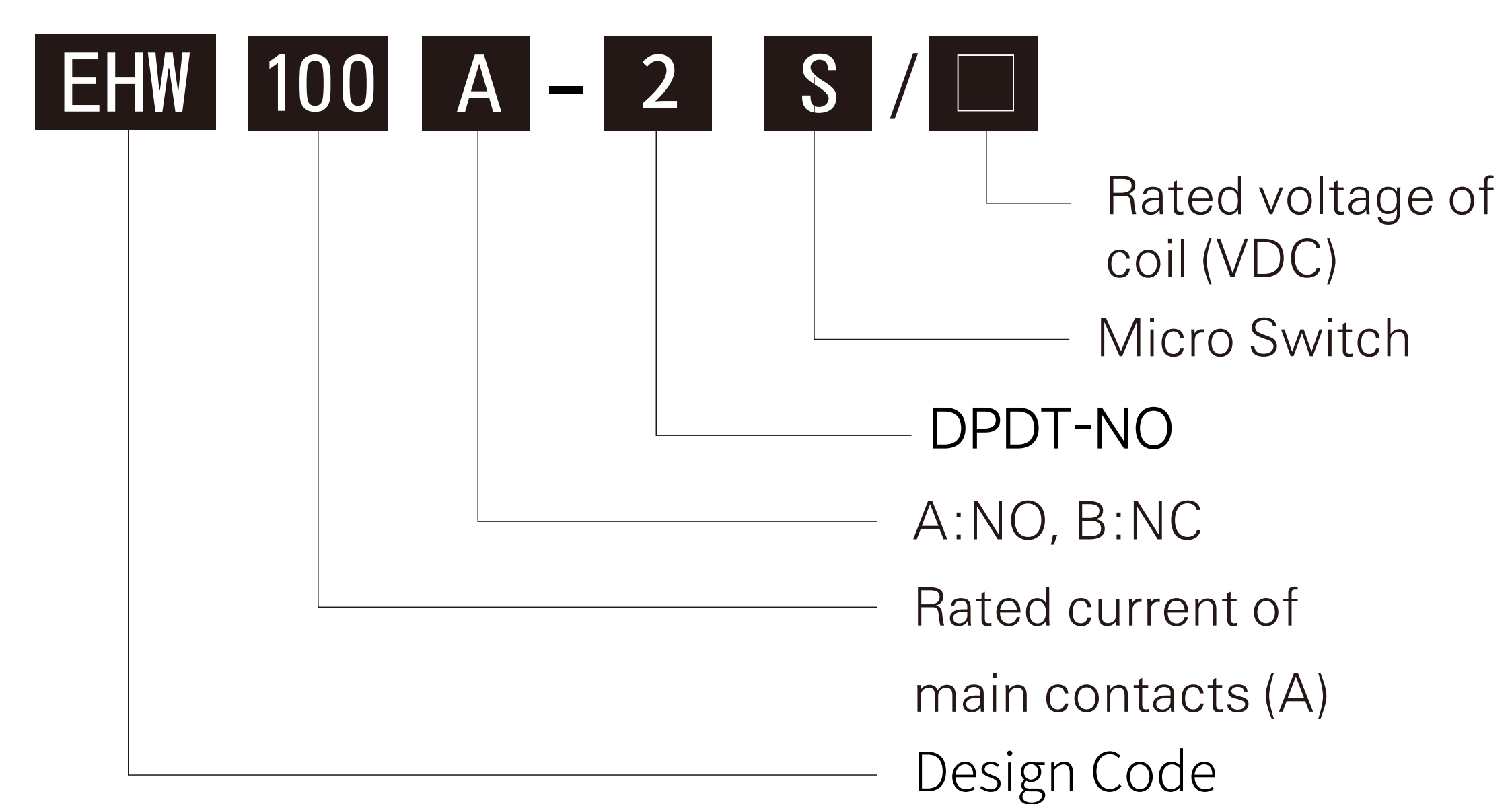
Application

The products are mainly used to control switching on/off of power supply of storage battery car, electric forklift, electric winch, electric car, excavator, air conditioner in vehicle, power source for communication facility.

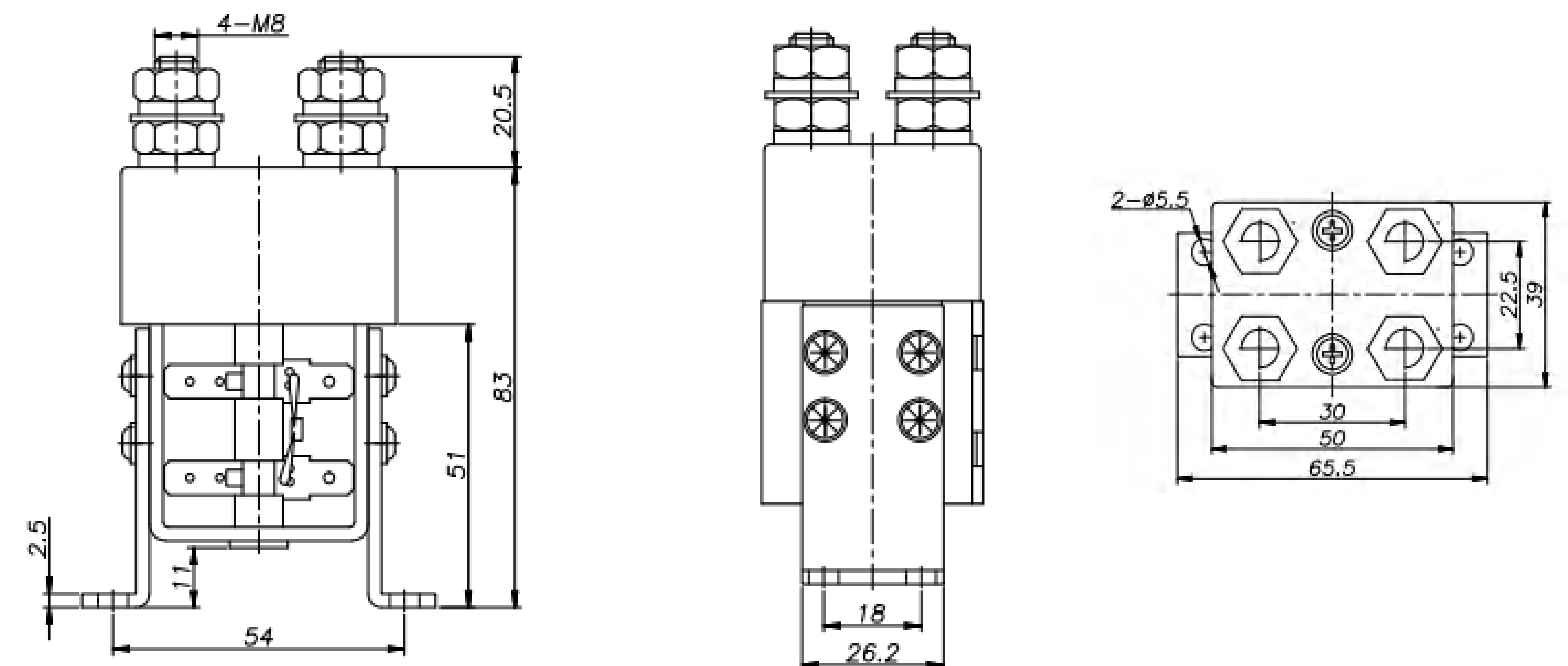
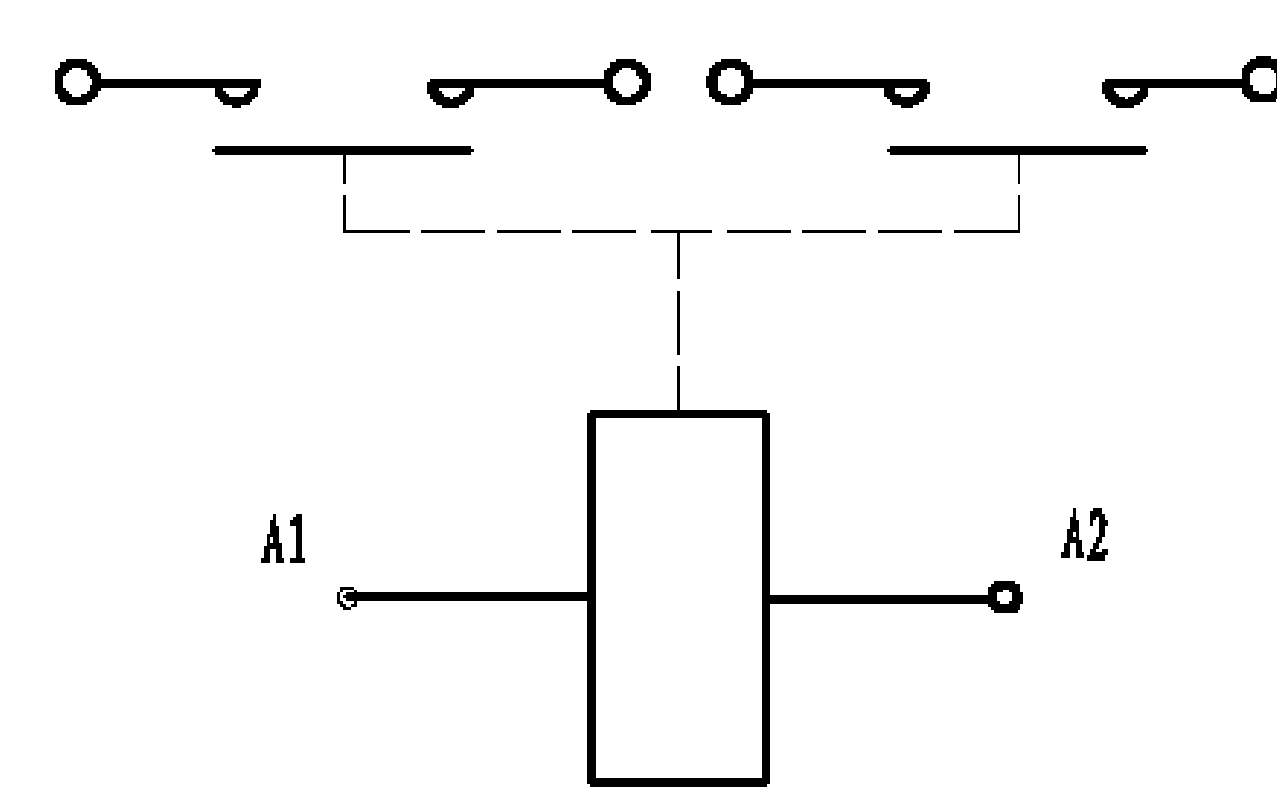
Ordering Notice

For example: EHW100A-2/12V
The DC contactor of main contact is one NO, rated voltage not more than DC 80V, current100A, coil voltage is DC12V

Model and Meanings



Electric Wiring Diagram



Basic size(mm)	Tolerance size(mm)
0~30	±0.2
30~60	±0.3
60~100	±0.5
>100	±1.0

Note: When using the installation mode "0", please specify the length of the M3 screw in the contract. The default length is M3×6