

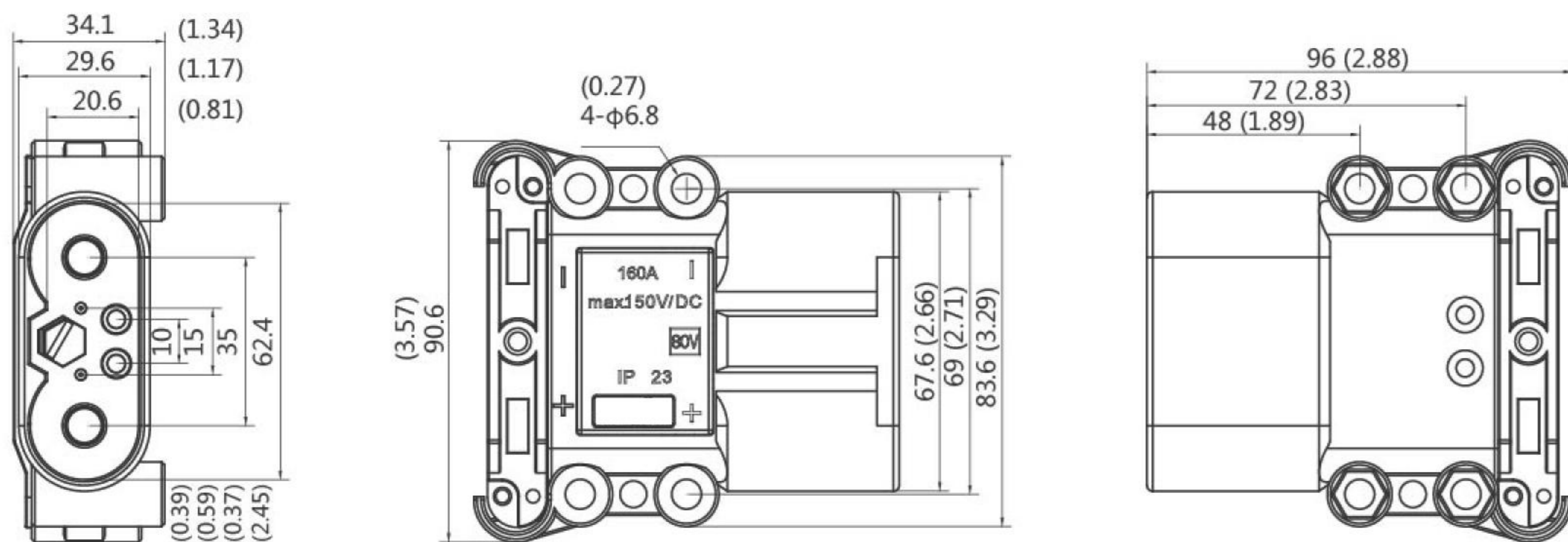
CHR-160



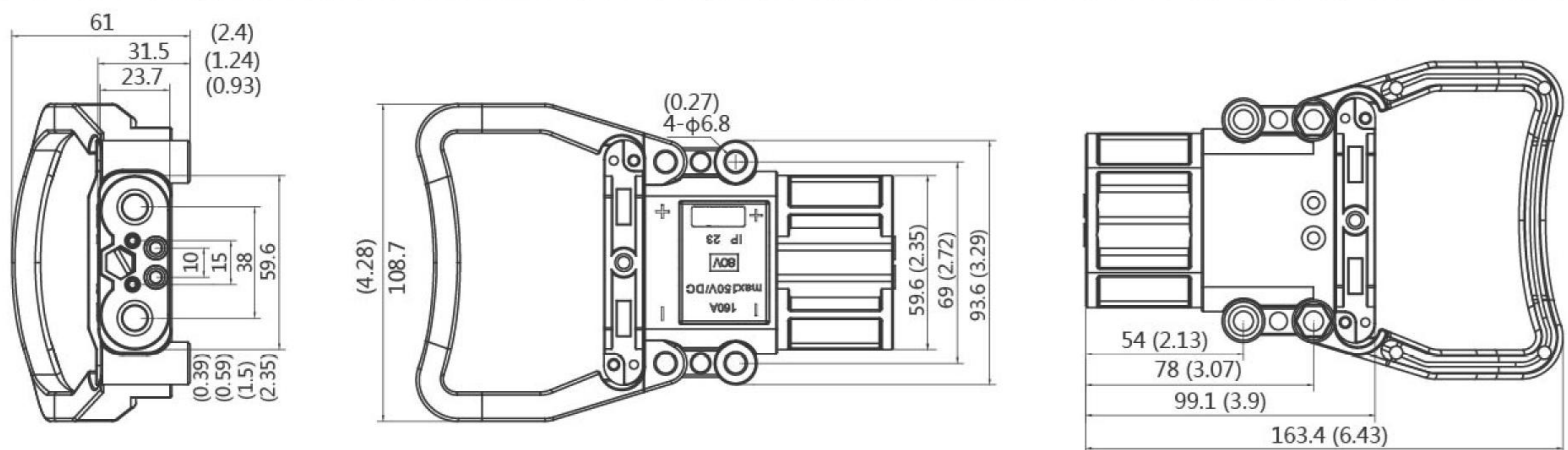
Application

CHR Series quick disconnect battery connectors are used in a variety of applications, including: Materials Handling, Aerial Platforms, Sweeper / Scrubber, Utility Vehicles (UTV), Motive Power, Battery Chargers.

CHR-160 MALE



CHR-160 FEMALE



Part Number	Rated current	Rated voltage	Material of terminal	Color	Flammability	Wire
Housing	160A	150V	PA66	Grey/Black	UL94V-0	N/A
Chief Terminal	160A	150V	Copper with silver	Silvery	N/A	4AWG-2AWG
Upper Assist Terminal	20A	150V	Copper with silver	Silvery	N/A	18AWG-12AWG
Below Assist Terminal	20A	150V	Copper with silver	Silvery	N/A	18AWG-12AWG